

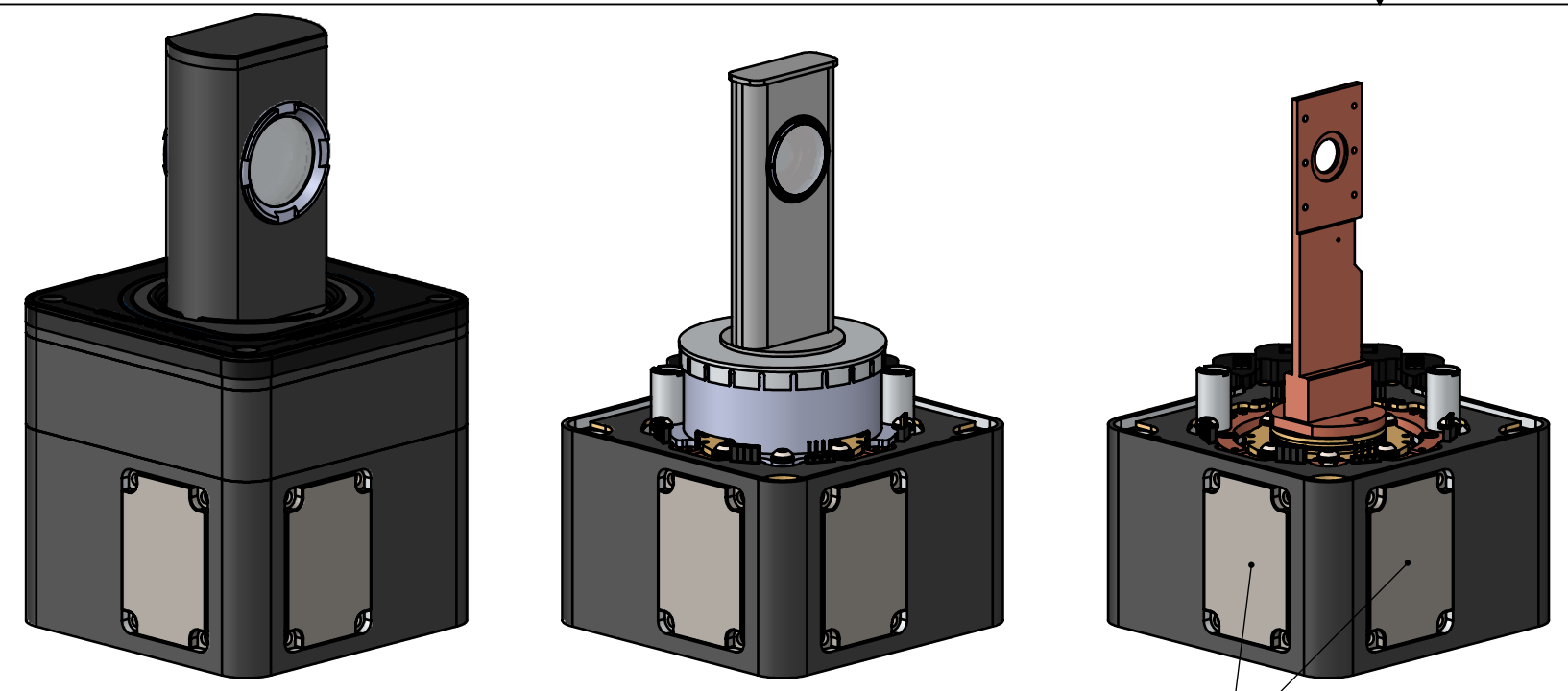
2

1

REVISIONS			
LTR	DESCRIPTION	DATE	APPROVED

D

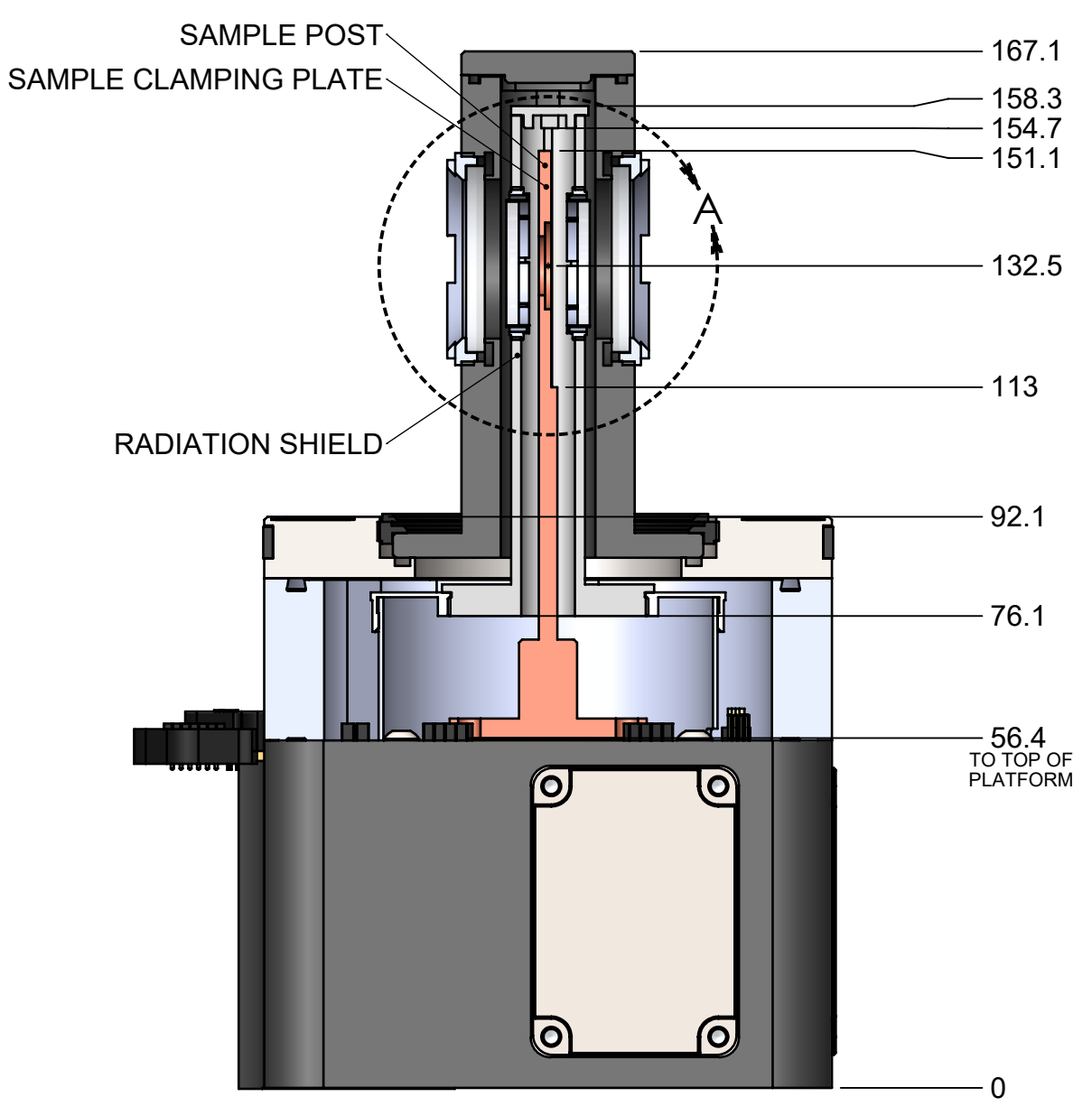
D



SHOWN WITH OPTIONAL SIDE PANELS

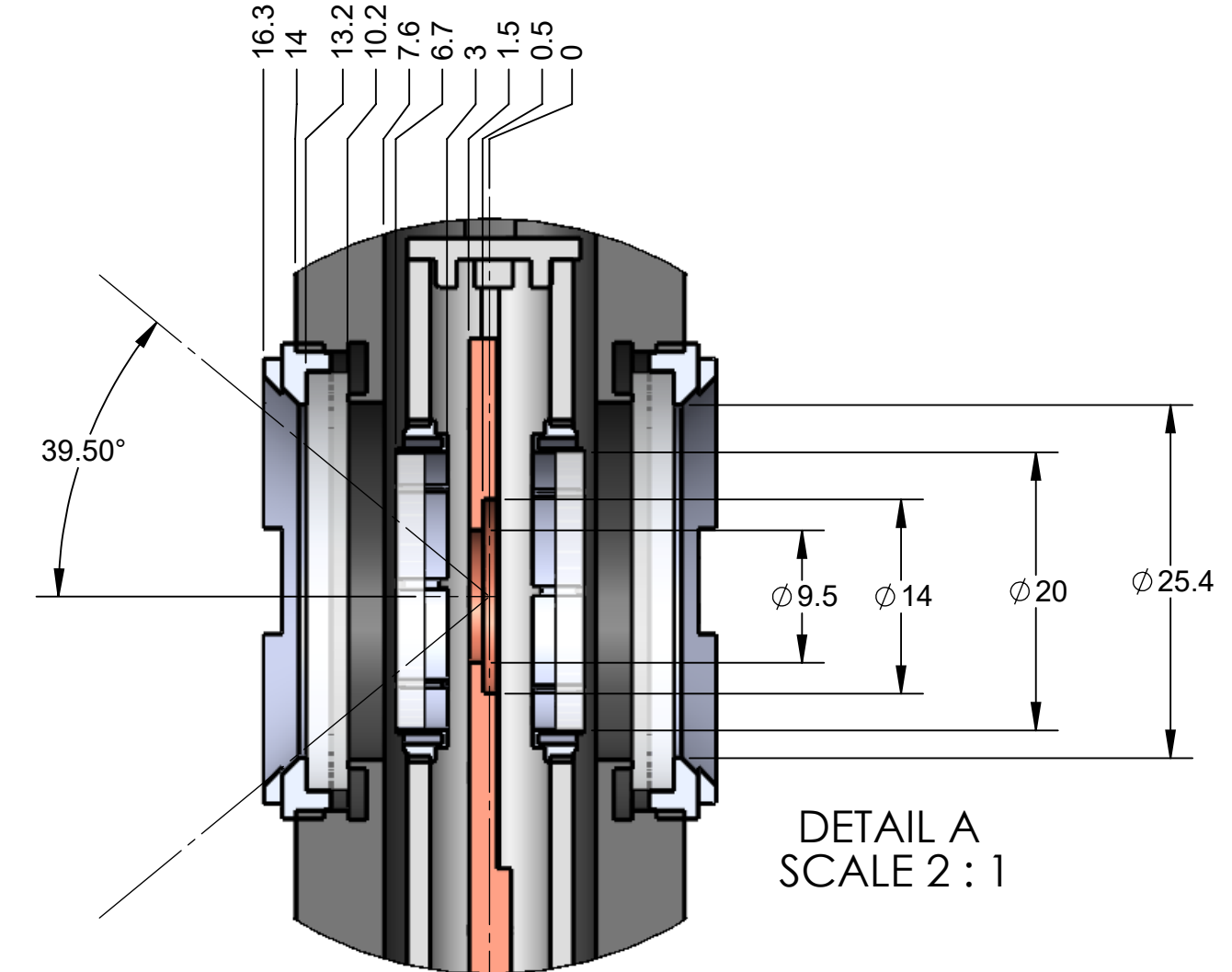
C

C



B

B



DETAIL A
SCALE 2 : 1

A

A

DIMENSIONS ARE IN MM	
DO NOT SCALE DRAWING	
APPROVALS	DATE
DRAWN: C. SCHREIBEIS	8/20/13

HIGH NA HOUSING			
DOC-149.SLDDRW			
MONTANA INSTRUMENTS CORPORATION BOZEMAN, MT			
SCALE 1:4	REV A1	REA NO.	SHEET 1 OF 1