

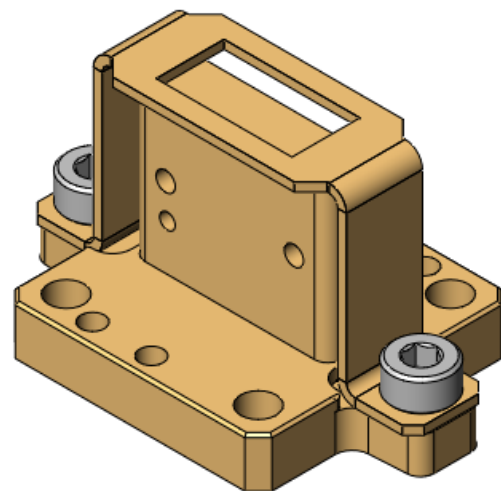
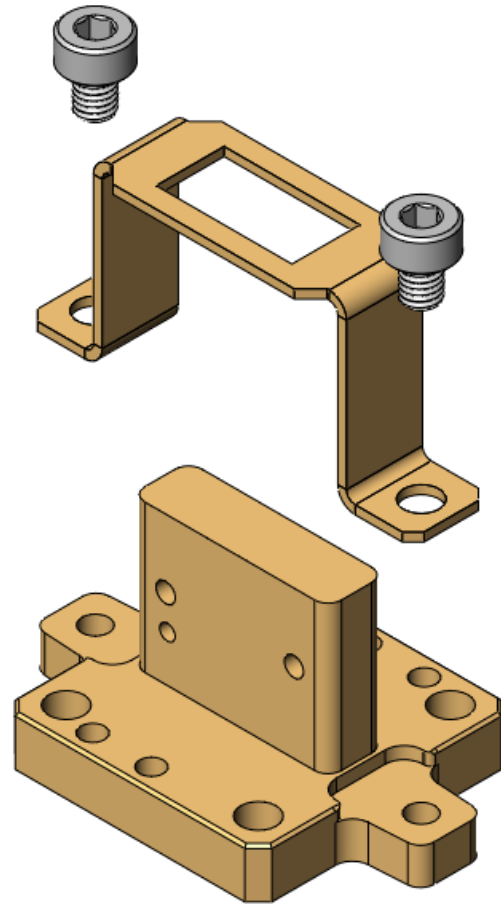
2

1

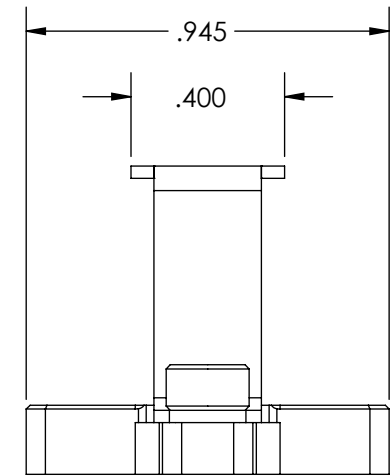
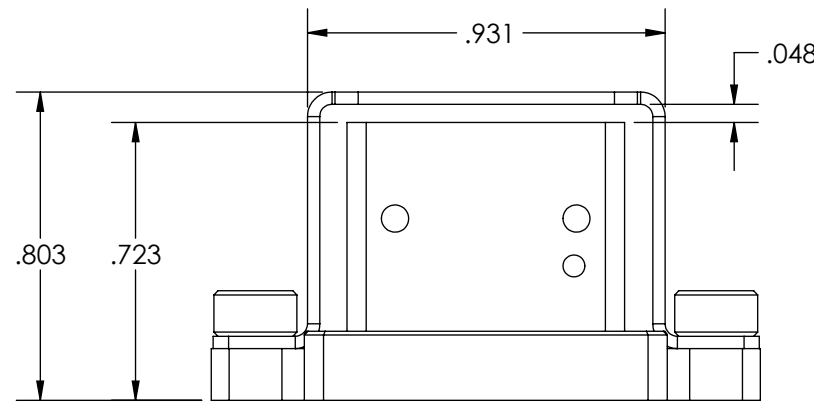
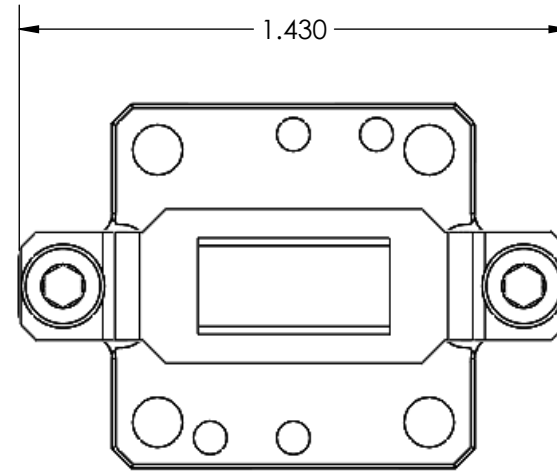
GENERAL NOTES

- WRAP PARTS INDIVIDUALLY TO PROTECT SURFACES PRIOR TO SHIPMENT. ENSURE THAT PARTS ARE SEPARATED FROM EACH OTHER DURNING SHIPPING TO AVOID DAMAGE
- MI (MONTANA INSTRUMENTS) CAN PROVIDE A CAD FILE FOR THIS PART UPON REQUEST. FABRICATED PARTS SHALL BE COMPLETED IN ACCORDANCE WITH THIS DRAWING. USE OF SOLID MODEL OR CAD FILES PROVIDED BY MI IS AT THE SOLE RISK OF THE MANUFACTURER OR SUPPLIER.

FINISHING NOTES



REVISIONS			
REV.	DESCRIPTION	Rev. By	DATE
A1	INITIAL RELEASE		



DIMENSIONS ARE IN INCHES TOLERANCES ARE DECIMALS .X ±.05    .XXX ±.005 .XX ±.01    .XXX ±.0005 .XXXX ±.0000	FRACTIONS ±1/64 ANGLES ±1°	APPROVALS	DATE	MODIFIED DIP SAMPLE MOUNT ASSEMBLY			
		DRAWN Matt R.	6/18/2015	FILENAME: 4100-1231.SLDDRW			
MATERIAL		DESIGNED		 BOZEMAN, MT			
FINISH		Surface Area: 7.512 sq. in. Weight: 0.027 lbs		SIZE B	PART NO. 4100-1231	DRAWING NO. 4100-1231	
DO NOT SCALE DRAWING		NEXT ASSY	USED ON	SCALE 2:1	REV A1	REA NO.	SHEET 1 OF 2
PREPARED IN SOLIDWORKS							

2

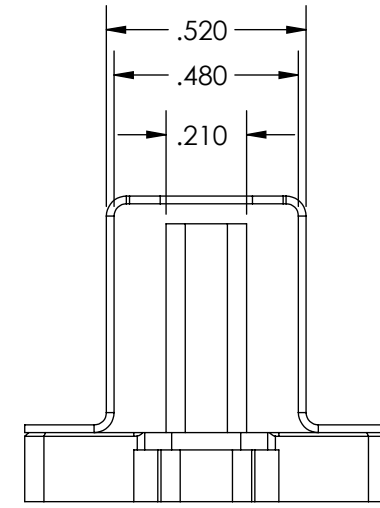
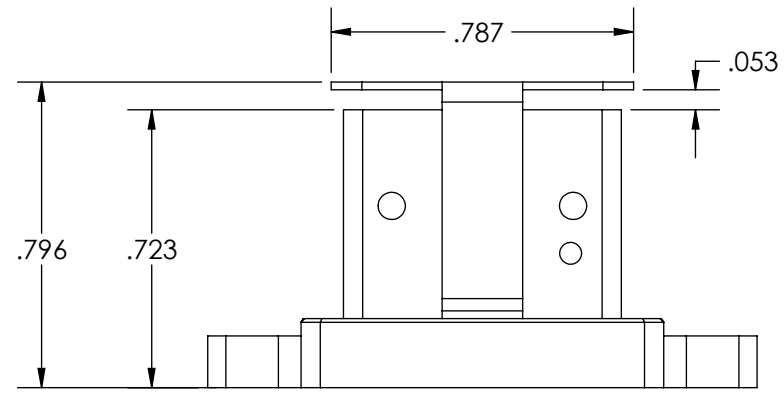
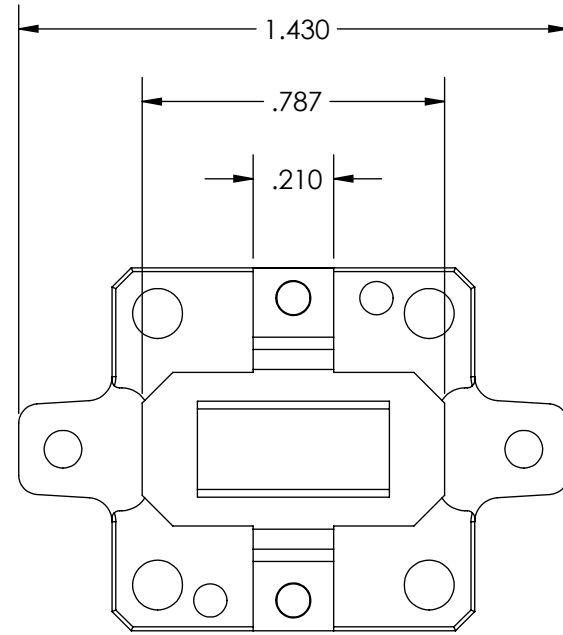
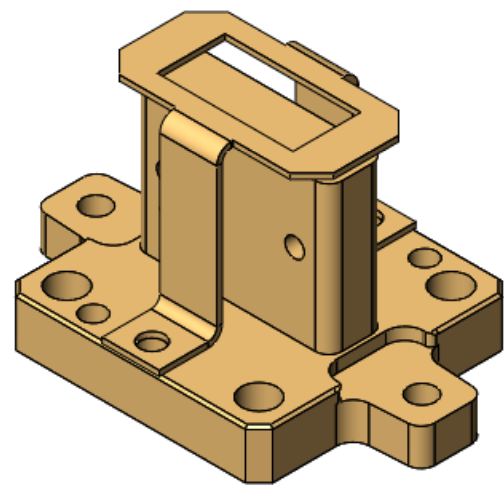
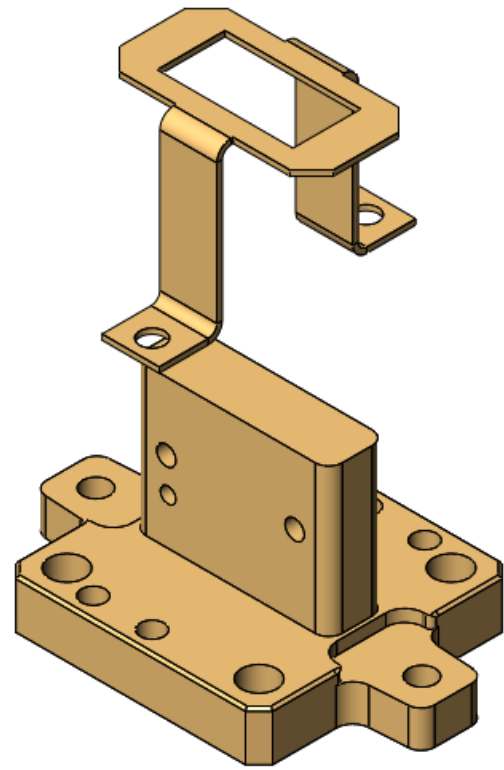
1

D

C

B

A



D

C

B

A

SIZE <b>B</b>	CAGE	DRAWING NO.		
SCALE <b>2:1</b>	REV <b>A1</b>	REA NO.	SHEET <b>2 OF 2</b>	

2

1

2

1