



# Technical Support

Subject
Digital Control Box Replacement

## System or Parts affected

- Underhood 70 Air Compressor Systems Except “G” Systems
- Underhood 150 Air Compressor Systems

## Index

<b>System or Parts affected</b> .....	<b>1</b>
<b>Overview</b> .....	<b>1</b>
<b>Control Box Replacement Instructions</b> .....	<b>1</b>
Pyramid Control Box P/N# 3550704 and P/N# 3550388.....	2
Low Profile box P/N# 3550404/Switching Box P/N# 3550412 .	2
Replacement Control Box P/N# 3550723 or P/N# 3550727 ....	3
<b>Visual Identification</b> .....	<b>3</b>
Pyramid Control Box P/N# 3550704 and P/N# 3550388.....	3
Low Profile box P/N# 3550404 .....	4
Switching Box P/N# 3550412 .....	4
Replacement Control Box P/N# 3550723 or P/N# 3550727 ....	5

## Overview

These instructions explain how to update obsolete Control Boxes

## Control Box Replacement Instructions

- Disconnect batteries.
- Using a small slotted screw driver disconnect green 7 pin temperature probe connector located at base of compressor.
  - If replacing Low Profile Unit with Switch Box, also disconnect green 7 pin connector located under the dash (normally to the right of the steering column).
- Disconnect the white 4 pin connector located under dash.
- Remove the obsolete control unit. Either:
  - Pyramid Control box (P/N# 3550704, 3550388)
  - Low Profile Control Box and Switching Box (P/N# 3550404 and P/N# 3550412)
- Install a new Digital Control Box (P/N# 3550723 or P/N# 3550727 depending on system).
- Reconnect the white 4 pin connector.
- Route grey wiring with 7 pin connector through firewall and reattach to the compressor.
- Secure all wiring with tie straps and loom, keeping wiring away from moving parts and all heat sources.
- Reconnect batteries.

Document	Version	Department	Revision Details	Revised by	Tech	Engineering	Implemented
EXT-VR-051	B	Tech	Document Update	MSP	BDJ	N/A	23 Jul 2018

<b>Subject</b>
Digital Control Box Replacement

Pyramid Control Box P/N# 3550704 and P/N# 3550388

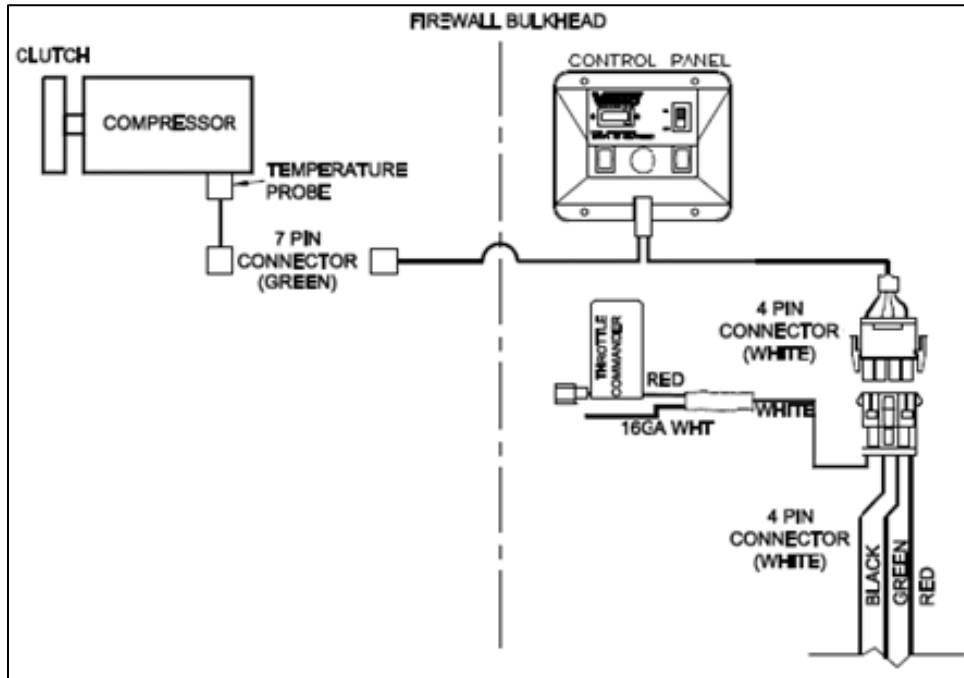


Figure 1

Low Profile box P/N# 3550404/Switching Box P/N# 3550412

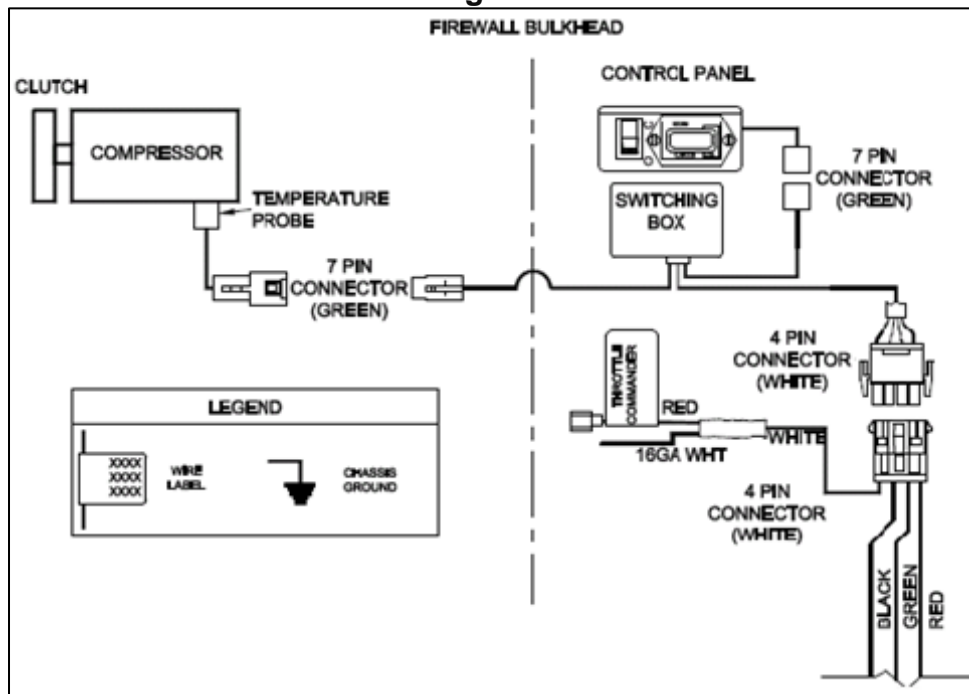


Figure 2

Document	Version	Department	Revision Details	Revised by	Tech	Engineering	Implemented
EXT-VR-051	B	Tech	Document Update	MSP	BDJ	N/A	23 Jul 2018

**Subject**  
Digital Control Box Replacement

**Replacement Control Box P/N# 3550723 or P/N# 3550727**

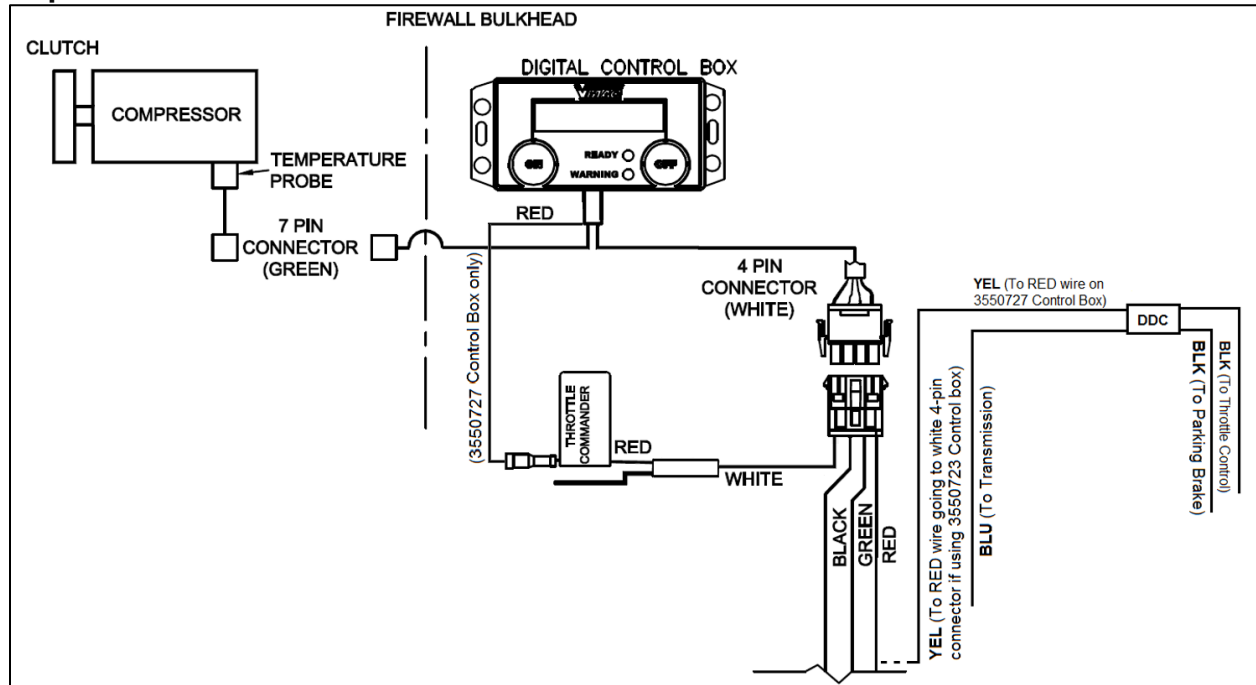


Figure 3

## Visual Identification

**Pyramid Control Box P/N# 3550704 and P/N# 3550388**



Figure 4

Document	Version	Department	Revision Details	Revised by	Tech	Engineering	Implemented
EXT-VR-051	B	Tech	Document Update	MSP	BDJ	N/A	23 Jul 2018

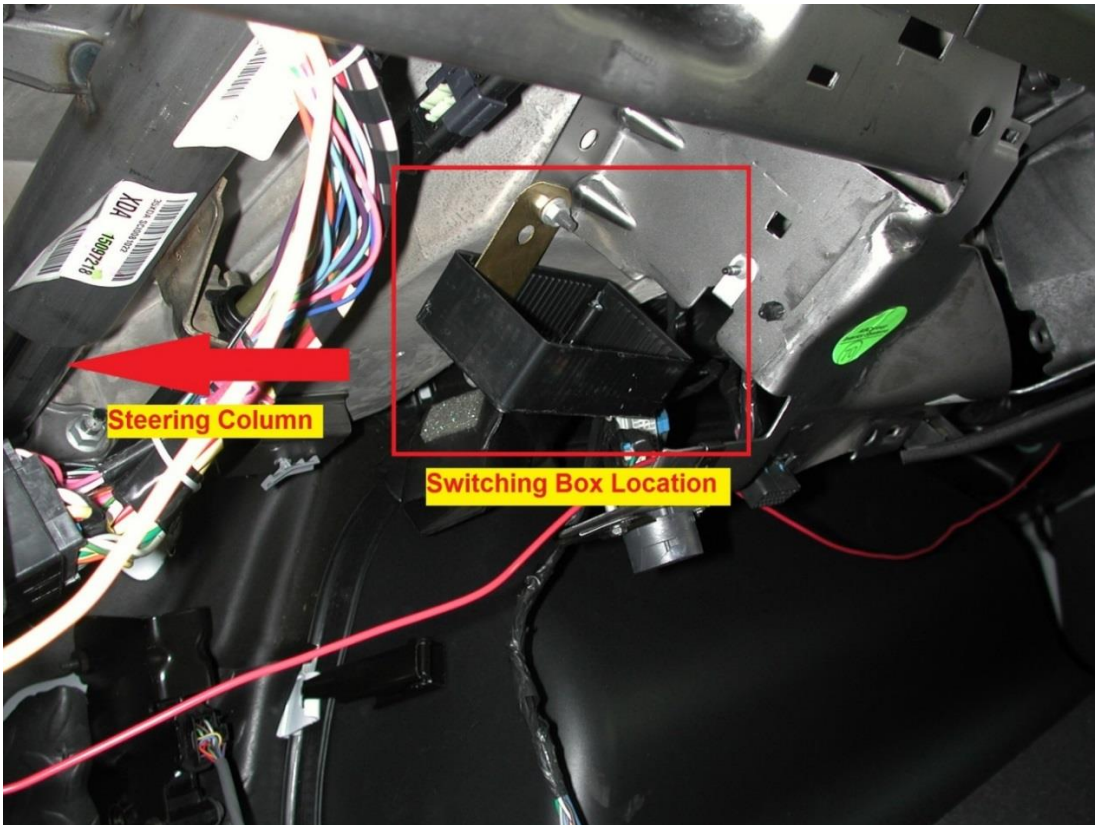
Subject
Digital Control Box Replacement

**Low Profile box P/N# 3550404**



**Figure 5**

**Switching Box P/N# 3550412**



**Figure 6**

Document	Version	Department	Revision Details	Revised by	Tech	Engineering	Implemented
EXT-VR-051	B	Tech	Document Update	MSP	BDJ	N/A	23 Jul 2018

Subject
Digital Control Box Replacement

Replacement Control Box P/N# 3550723 or P/N# 3550727



Figure 7

Document	Version	Department	Revision Details	Revised by	Tech	Engineering	Implemented
EXT-VR-051	B	Tech	Document Update	MSP	BDJ	N/A	23 Jul 2018