

Subject
2011-2016 Ford F-59, Confirm Fitment Prior to Install

System or Parts affected

- Underhood70 (V900222) Ford F-59 Strip Chassis

Overview

Background:

Engine, firewall and fender clearances may change depending on up-fitter/body building company as they all custom built bodies.

i Vehicles equipped with A/C may need additional modification to install the compressor which may involve recharging the A/C system. Please consider this when quoting install times

Resolution:

Please send pictures and/or CAD drawing to sales@vmacair.com. We will look for potential install issues and if none are apparent we will send out a main bracket and 'mock up' compressor to confirm install fitment.

Figure 1.1 and Figure 1.2 below show an approximation of the AOST (air-oil separator tank) and compressor footprint.

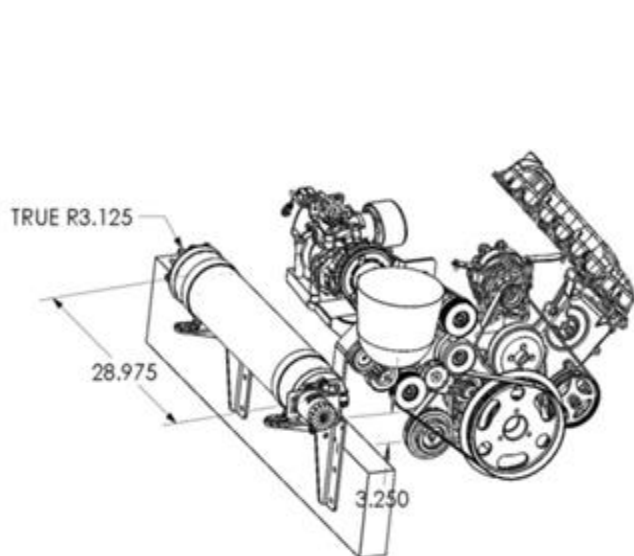


Figure 1.1

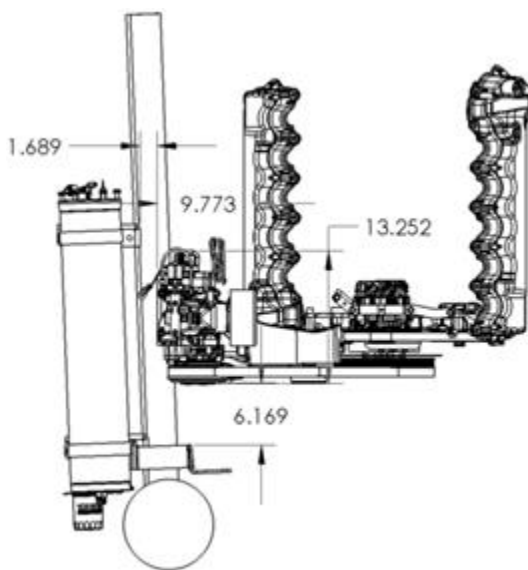


Figure 1.2

Document	Version	Department	Revision Details	Revised by	Tech	Engineering	Implemented
EXT-VR-079	A	Tech	Document Release	SP 20 Jul 2015	RD 20 Jul 2015	N/A	20 Jul 2015
EXT-VR-079	B	Tech	Update MY	SP 22 Sept 2015	DB 23 Sept 2015	N/A	23 Sept 2015