

4

3

2

1

D

D

C

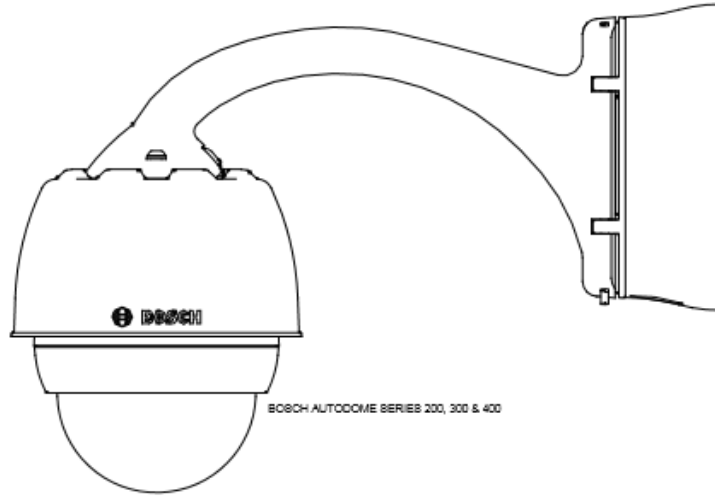
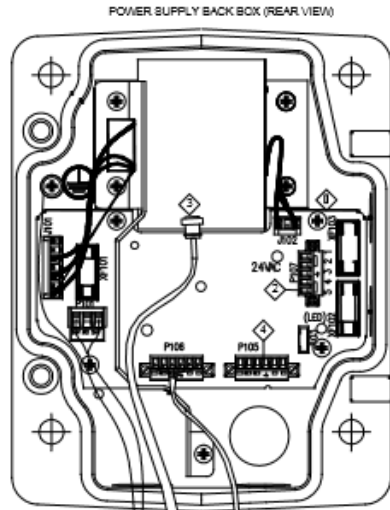
C

B

B

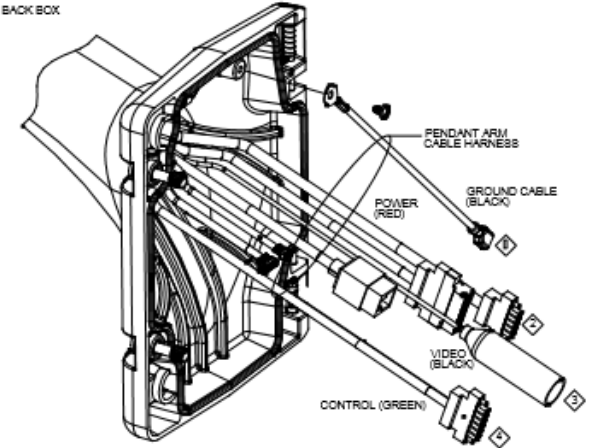
A

A



POWER SUPPLY BACK BOX

CAMERA CABLE CONNECTIONS TO POWER SUPPLY BACK BOX



POWER SUPPLY BACKBOX PLUG CONNECTIONS TO SIGHTTRACKER CABLE						
PLUG	PIN 1	PIN 2	PIN 3	PIN 4	PIN 5	PIN 6
P101	RED	NC	B.K	N/A	N/A	N/A
P106	NC	NC	NC	BLU	BRN	BLU/WHI
				Red	Tea	Grn

FTZ SERIAL 3-WIRE RS-232

TO 24 V AC/DC POWER SUPPLY (NOTE #1)

RJ45/ ETHERNET TO NETWORK

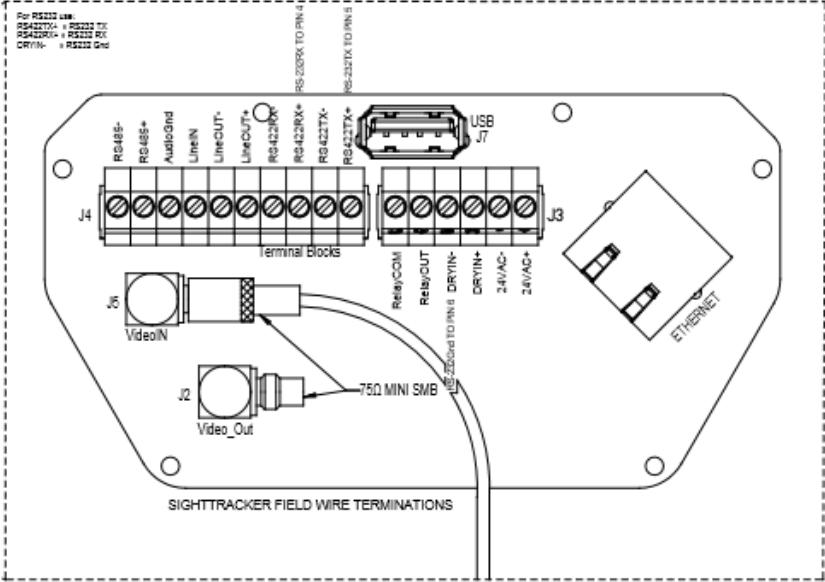
VIDEO

COAX

BNC

1/8" MINI COAX

SightTracker
P.N. ST3-000



NOTES

1. NOT REQUIRED IF USING POE

APPROVALS		
DRAWN BY	EJM	18-JUL-11
CHECKED BY	LOU BESTEFAND	18-JUL-11
APPROVED BY	DAVE FRAMPTON	18-JUL-11
REVISION	REV 0	
SCALE	NTS	



SightTracker to Bosch Autodome

4

3

2

1