

4

3

2

1

D

D

C

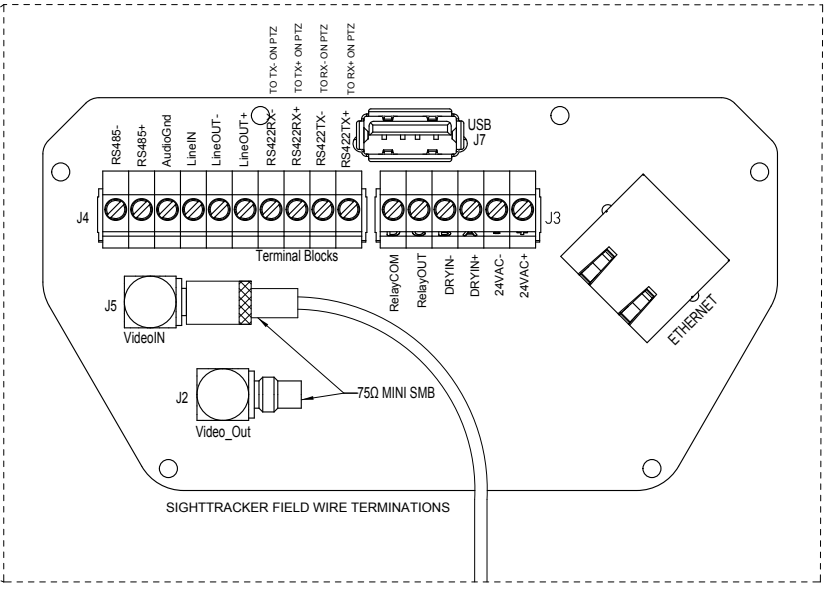
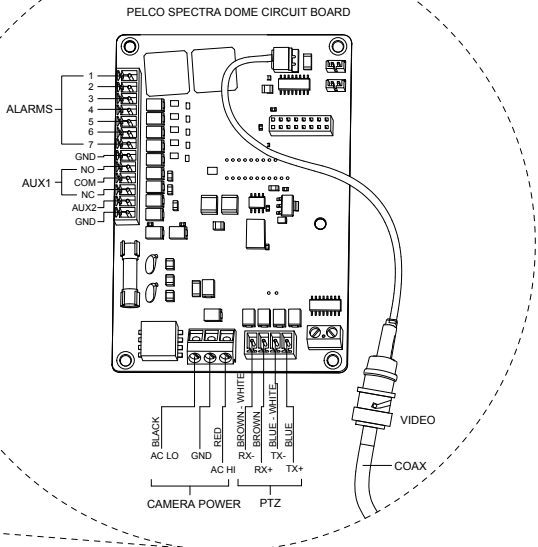
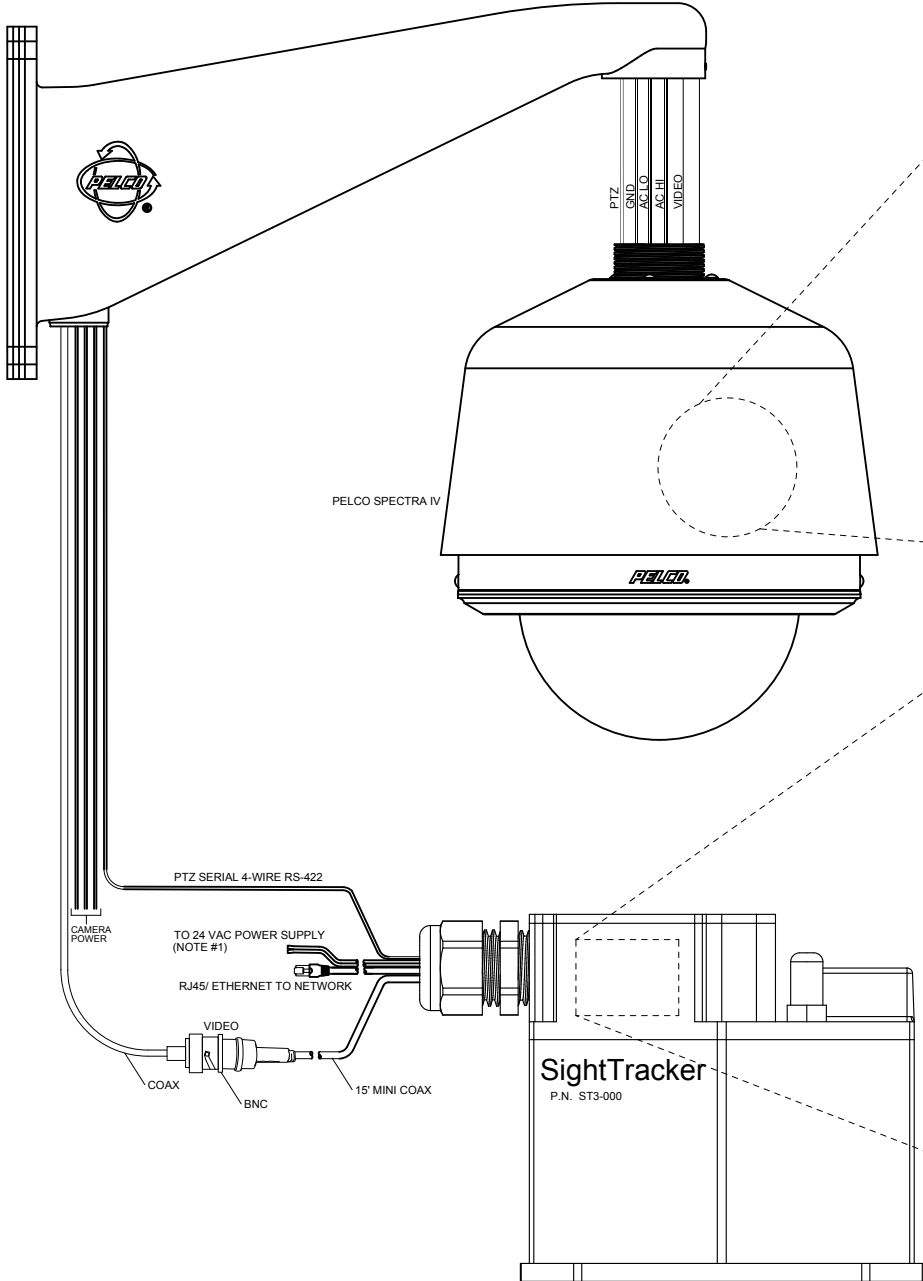
C

B

B

A

A



NOTES
 1. NOT REQUIRED IF USING POE.

APPROVALS	
DRAWN BY	SGV 16-MAY-14
CHECKED BY	-
APPROVED BY	-
REVISION	REV 0
SCALE	NTS

sightlogix

TITLE
 SightTracker3 to Pelco Spectra IV

4

3

2

1