

4

3

2

1

D

D

C

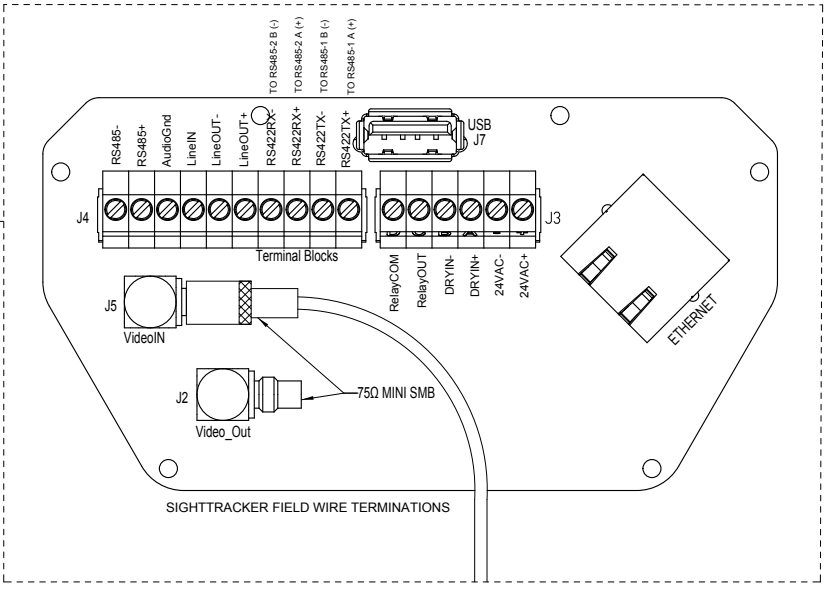
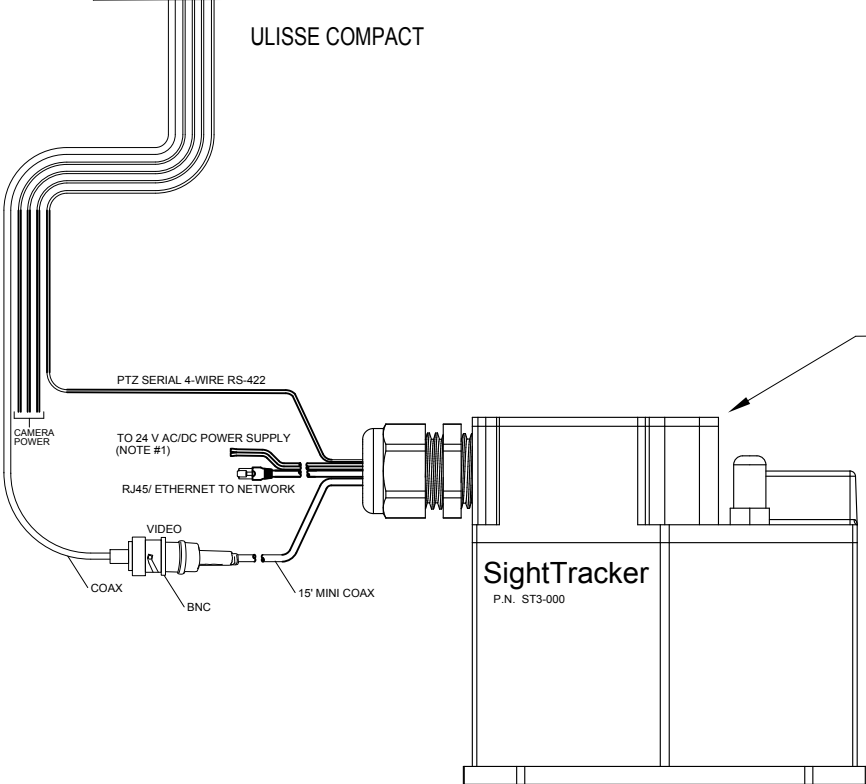
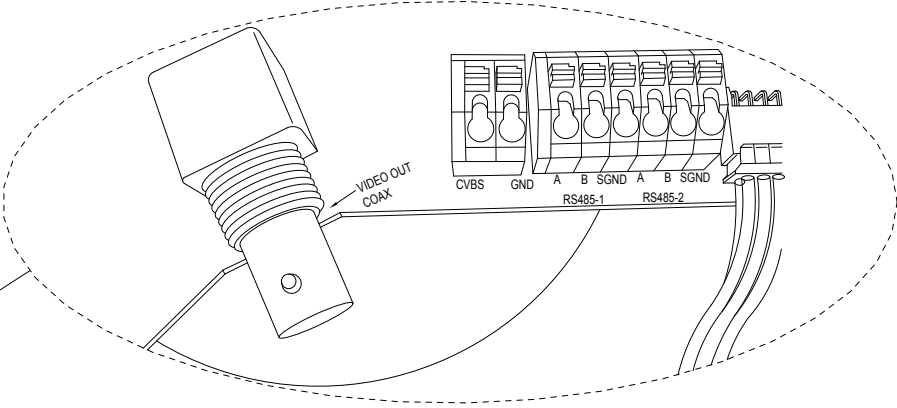
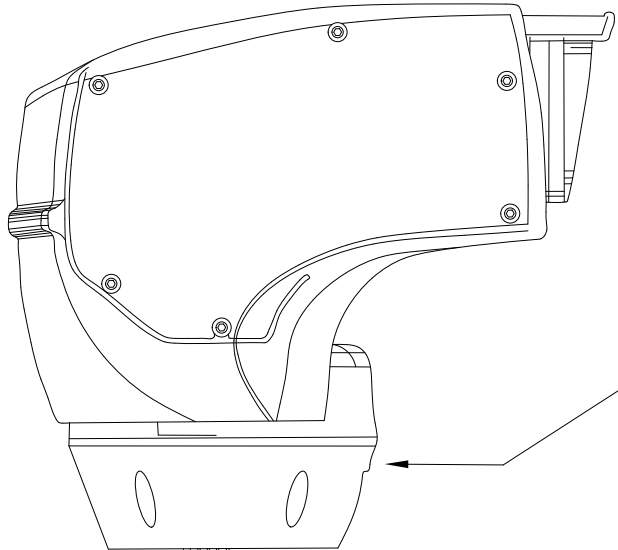
C

B

B

A

A



NOTES

1. NOT REQUIRED IF USING POE.

APPROVALS	
DRAWN BY	SGV 16-MAY-14
CHECKED BY	-
APPROVED BY	-
REVISION	REV 0
SCALE	NTS

TITLE
SightTracker3 to Videotec Ulisse

4

3

2

1