

Subject
V300011 / V400011/ V400021 Water Pump Compatibility

System or Parts affected

- V300011 UNDERHOOD™ 30CFM – Truck Series Air Compressor for F250–550 6.7L Diesel 2017+
- V400011 UNDERHOOD™ 40CFM – Truck Series Air Compressor for F250–550 6.7L Diesel 2017+
- V400021 UNDERHOOD™ 40CFM – Truck Series Air Compressor for F250–550 6.7L Diesel 2020+

Overview

The V300011, V400011, AND V400021 UNDERHOOD™ compressor systems are designed to fit vehicles that are equipped with secondary cooling system water pumps that have integrated mounting ears.

If the vehicle is not equipped with a secondary cooling system water pump with integrated mounting ears, the following adaptor kits must be ordered prior to fitting main bracket (Figure 1):

- V300011 and V400011 - VMAC adaptor kit P/N: A900018
- V400021 - VMAC adaptor kit P/N: A900022

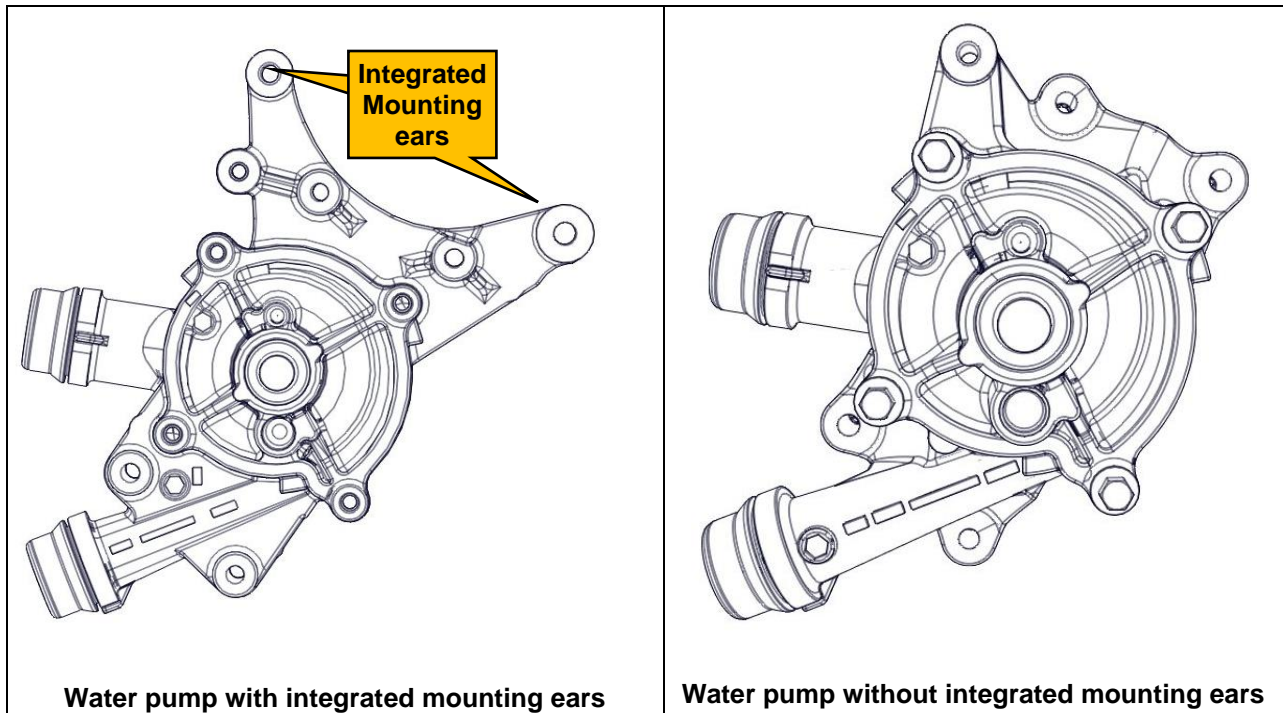


Figure 1 – Identifying compatible secondary cooling system water pump

Document	Version	Department	Revision Details	Revised by	Tech	Engineering	Implemented
EXT-VL-001	C	Tech	Added V400021	BDJ	MSP	N/A	7 April 2020