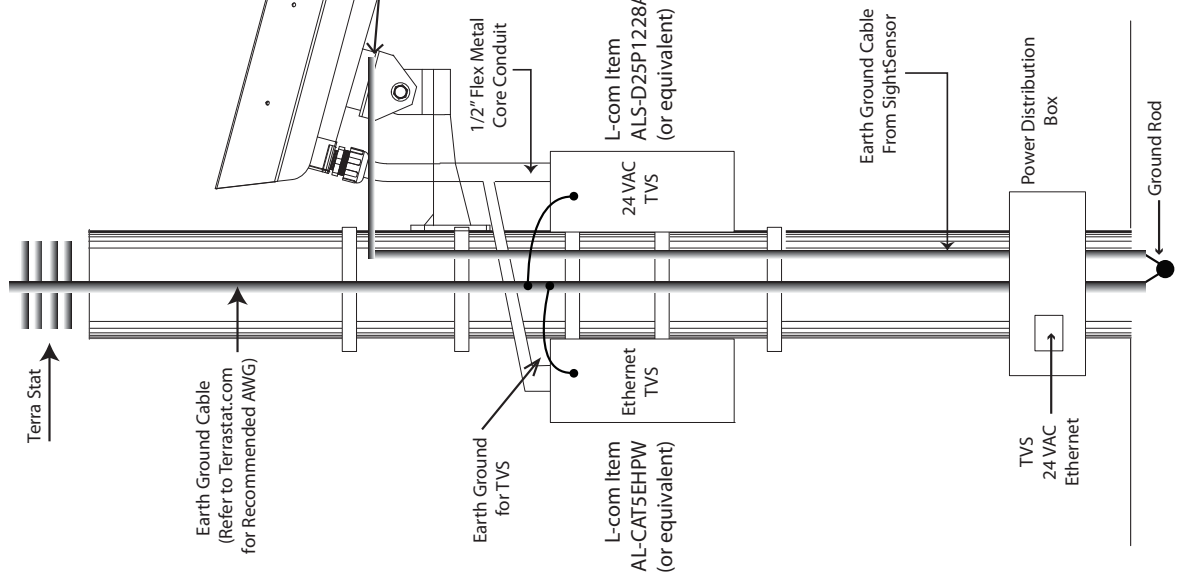
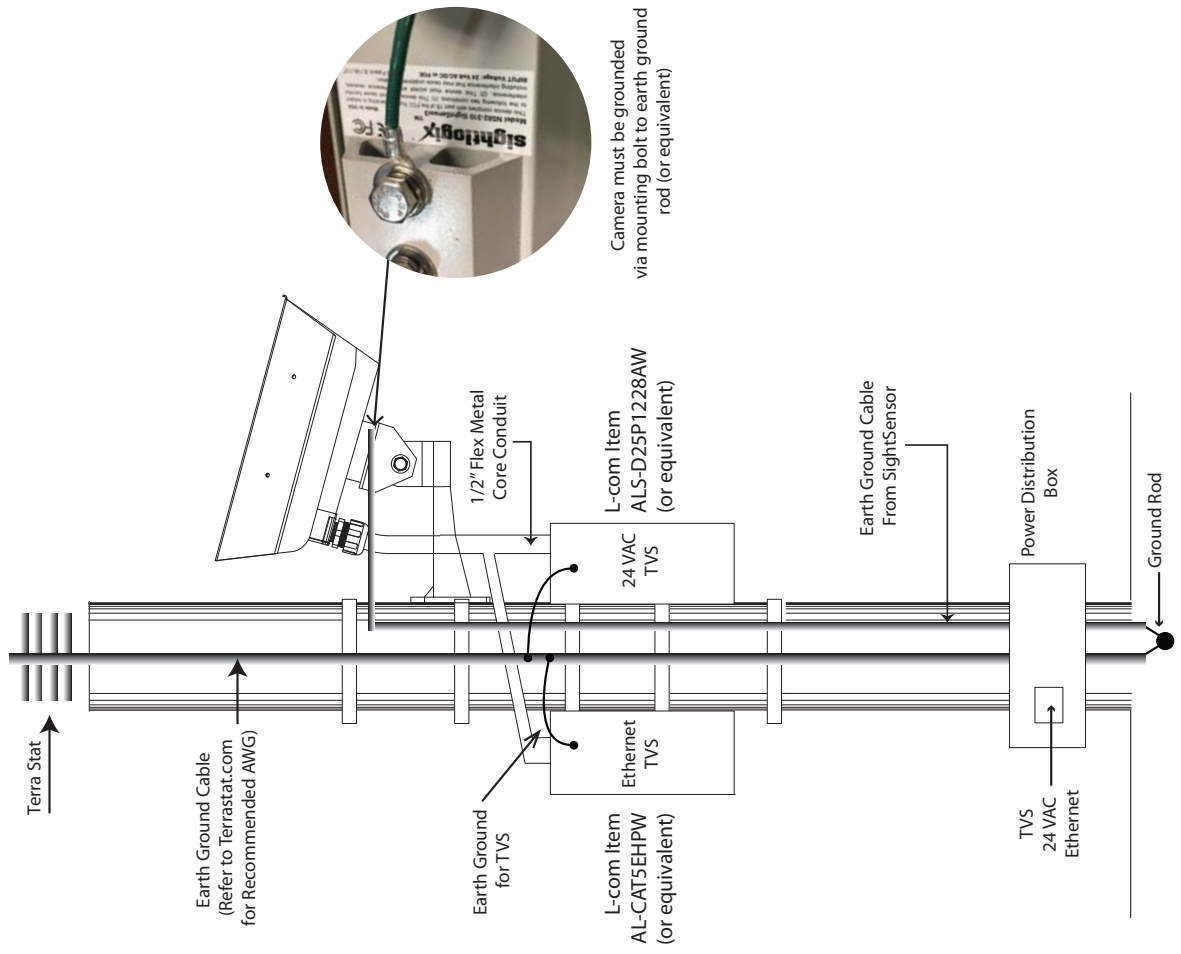


## 24VAC /Ethernet



Camera must be grounded via mounting bolt to earth ground rod (or equivalent)

## 24VAC/Ethernet (High Lightning Risk)



Camera must be grounded via mounting bolt to earth ground rod (or equivalent)