

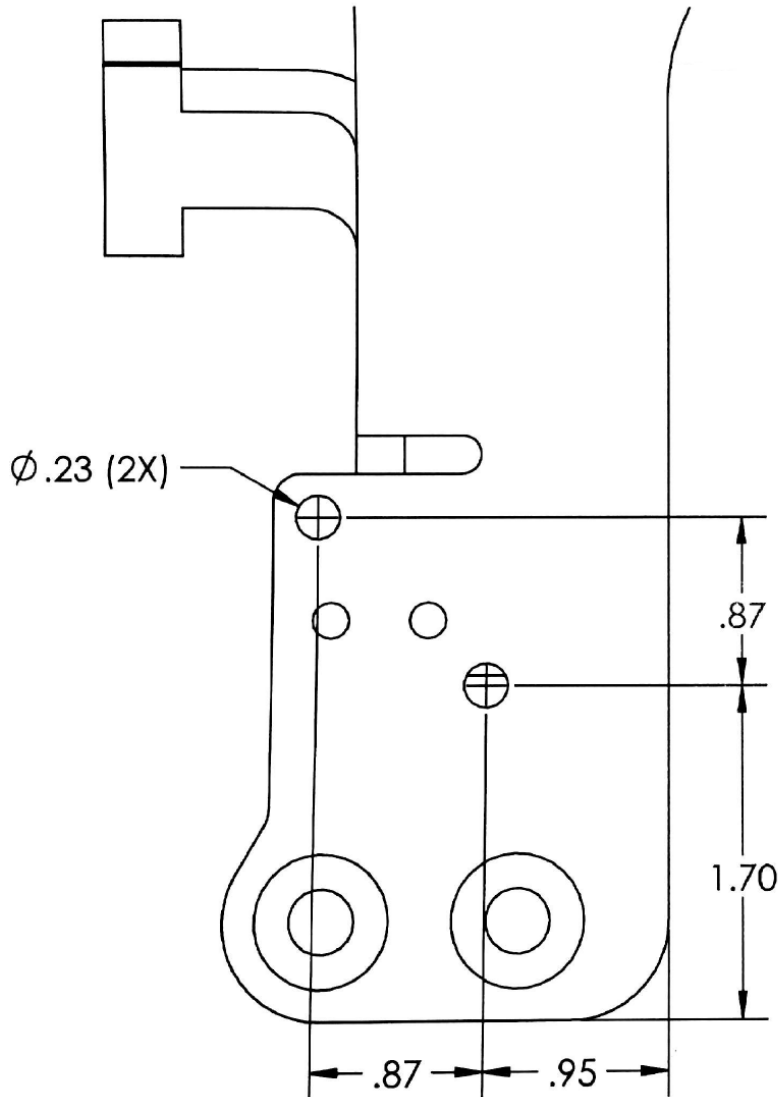
Subject
Multifunction Solenoid Retrofit Template

### System or Parts affected

- Multifunction Coalescer Bracket P/N: 9500240

### Overview

- Air solenoid part number 3550809 is no longer available and is being replaced by current part number 3550881. The bolt pattern differs between the two parts.
- In order to mount a current replacement solenoid, the existing coalescer bracket will need to be modified at the solenoid mount location by drilling additional holes as indicated in Figure 1 below.



\*All dimensions are in inches

**Figure 1 – Solenoid bracket retrofit instructions**

Document	Version	Department	Revision Details	Revised by	Tech	Engineering	Implemented
EXT-TECH-004	A	Tech	Document Release	BDJ 29 May 2017	DB 30 May 2017	N/A	5 June 2017