

# RS200

Room Probe



## RS200 Room Probe

The Room Probe (RS) is designed with a semi-flush mounted cover that can be optionally painted to match the interior room finishes. The RS interfaces with the Air Data Router (ADR) for room level sensing of a multitude of environmental parameters including discrete temperature, and for drawing air samples back to the Sensor Suite (SST). The sensor configuration of the SST and the installed Cable/Tubing will determine which parameters the Aircuity system will detect. Refer to the OSC Structured Cable (OSC100) and OT Tubing (OT100) data sheets for a guide to selecting the appropriate options.

### Features



Semi-flush mounted cover with custom painting options



In-line stainless steel coarse filter



RTD sensing elements



Compatible with OSC100 and OT100

## Ordering Guide

**RS 200-X-X**

Base Number	_____
Series Number	_____
Temp Sensor Element	_____

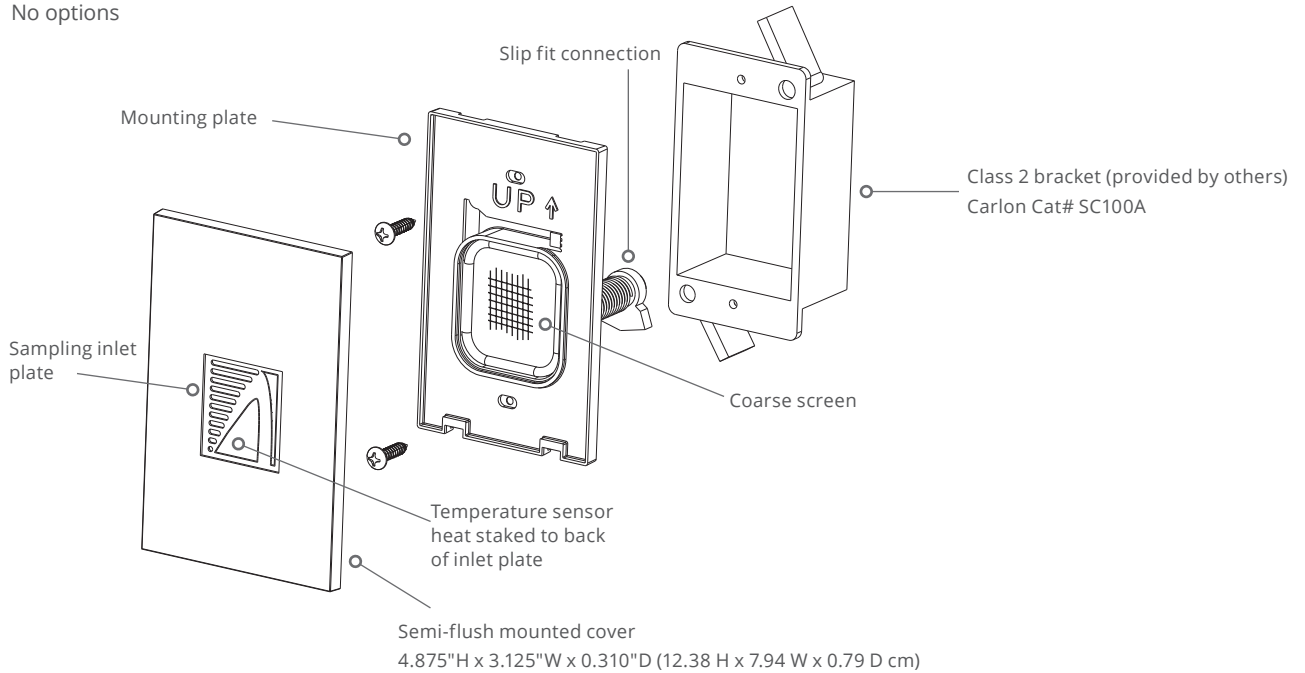
**RTD** Platinum resistance temperature detector

**NS** No temperature sensor, virtual sensing only. Includes cover, filter, and mounting base.

**Options**

**CPC** Custom Painted Cover

**Blank** No options



## Specifications

### Electrical

#### Power

RTD model:  $\pm 12$  Vdc from ADR  
NS model: no power required

#### Power Consumption

RTD model: 0.25 VA  
NS model: 0.0 VA

### Sensors

#### Temperature

Platinum RTD: range -30°-130°F (-34°-54°C)  
Accuracy:  $\pm 0.30^\circ\text{F}$  ( $\pm .17^\circ\text{C}$ )  
Virtual: refer to the Sensor Suite Sensor data sheets

### Connections

**Wiring:** 4-position screw-down connector

**Tubing:** refer to the individual Cable/Tubing data sheets for compatibility

### Materials

**Cover:** UL listed molded polycarbonate

**Sampling Plate:** clear anodized aluminum

**Filter:** coarse screen/304 stainless steel

### Regulatory Compliance

UL94 HB

FC Part 15 Class A

CE