

Subject
A700066 Front Gear Case Assembly

System or Parts affected

- Underhood70 (V90000x) compressors.

Overview

- If an input shaft seal is leaking or input shaft bearing wear is noted in an Underhood 70 compressor, two options are available to remedy the problem:
 - Oil leaking past seal only: part number A700161 - Seal Retainer Assembly.
 - Oil leak and bearing or shaft wear: part number A700066 - Front Gear Case Assembly.

A700066 Front Gear Case Assembly

The A700066 Front Gear Case Assembly (*Figure 1*) is ready to install and comes with a fastener pack including:

- Case screws x7
- O-ring
- Woodruff Key
- Dowel pins x2

NOTE *The A700066 Gear Case Assembly fits VMAC aluminum case compressors. A700066 will not fit VMAC's older steel case compressors.*

i *No warranty is expressed or implied when an A700066 Front Gear Case Assembly is sold to fit to a used compressor.*

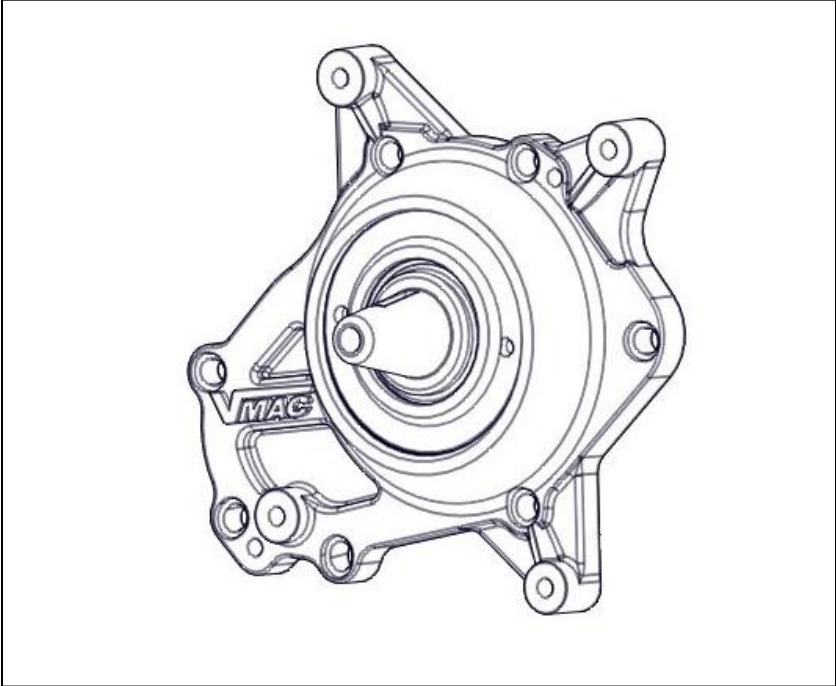


Figure 1

Document	Version	Department	Revision Details	Revised by	Tech	Engineering	Implemented
EXT-VR-088	C	Tech	Article update	BDJ	MSP	N/A	16 Jun 2018

Subject
A700066 Front Gear Case Assembly

A700161 Seal Retainer Assembly

NOTE A700161 is included in the A700066 Front Gear Case Assembly

The A700161 Seal Retainer assembly (Figure 2) includes:

- Seal Retainer
- Shaft Seal
- Retainer O-Ring

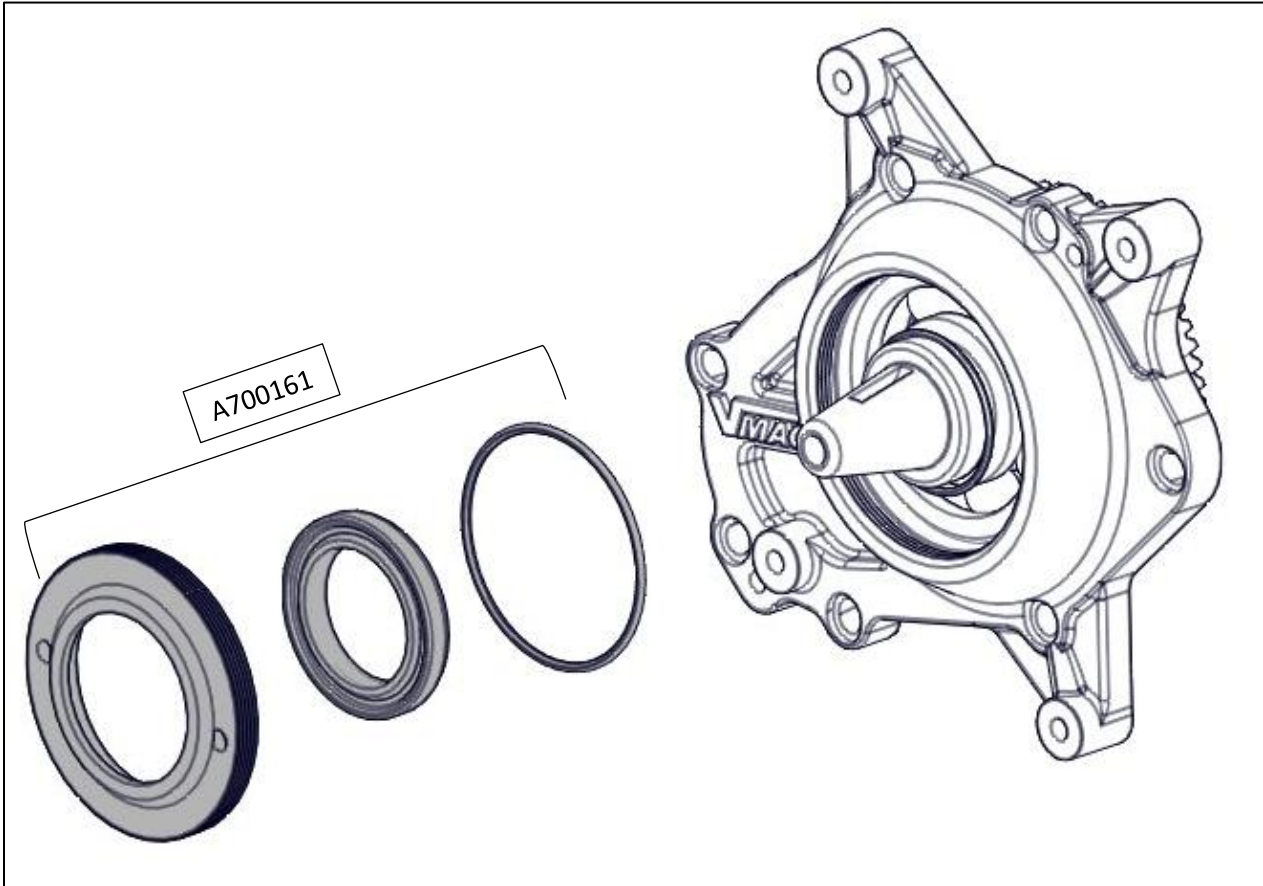


Figure 2

Document	Version	Department	Revision Details	Revised by	Tech	Engineering	Implemented
EXT-VR-088	C	Tech	Article update	BDJ	MSP	N/A	16 Jun 2018