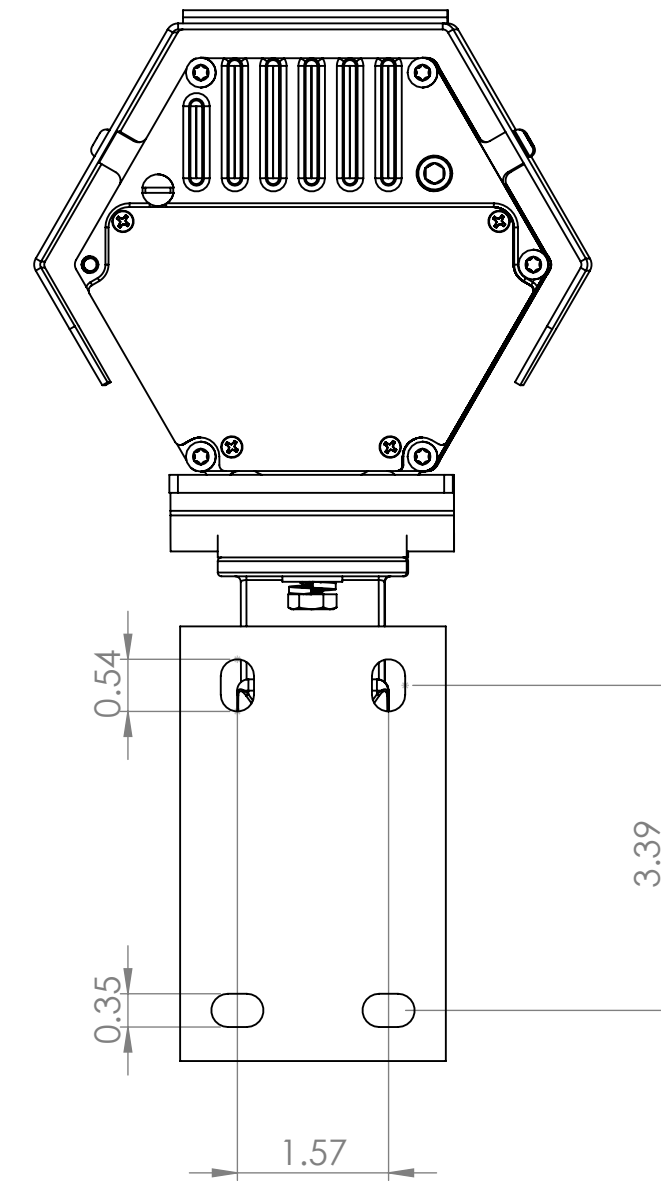
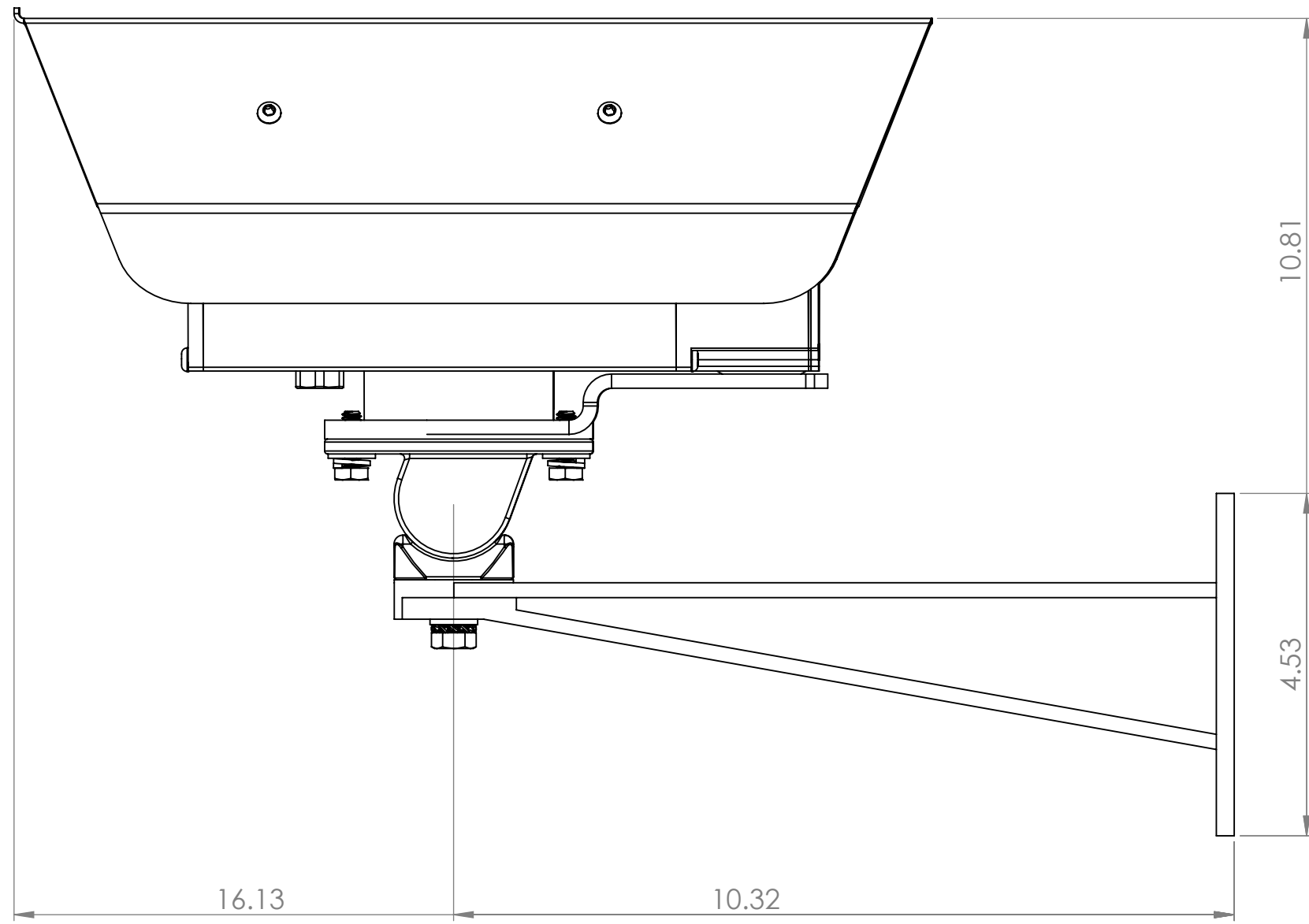
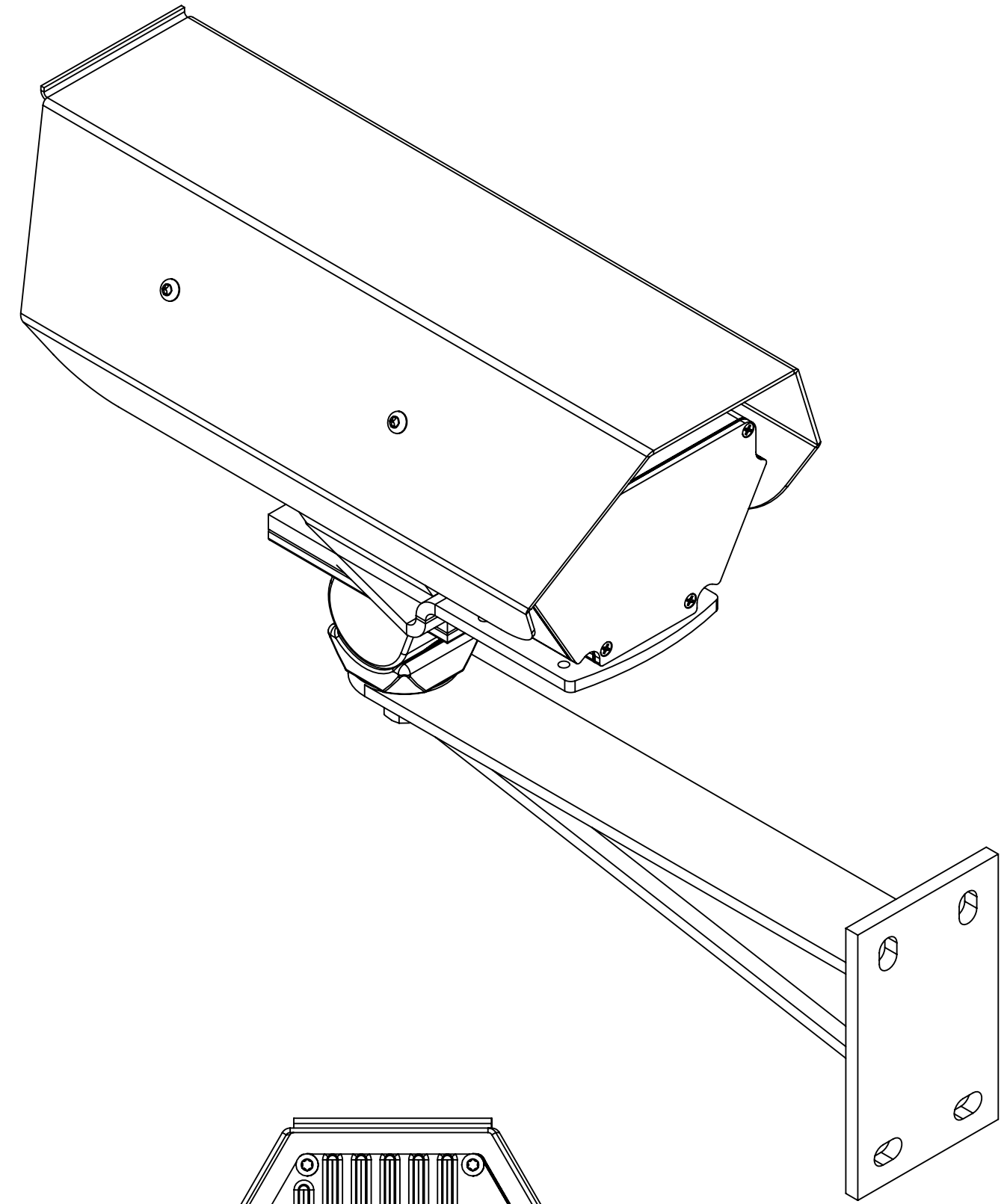
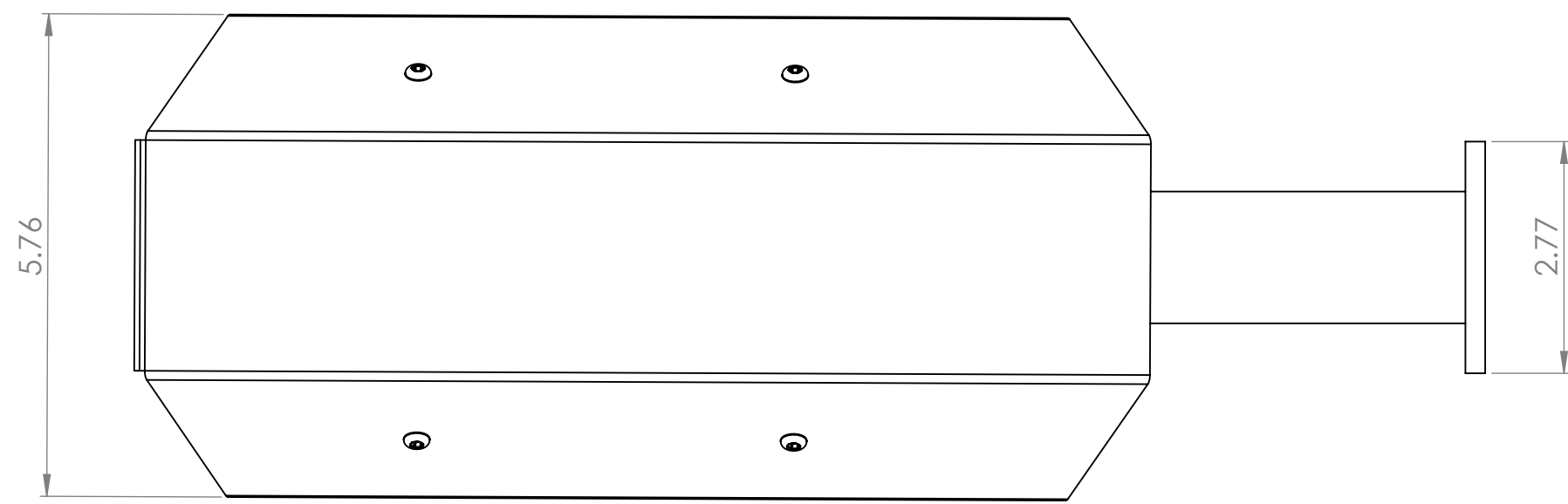


THESE DRAWINGS AND SPECIFICATIONS ARE THE PROPERTY OF AND PROPRIETARY TO SIGHTLOGIX, INC., AND ARE NOT TO BE DISCLOSED, REPRODUCED, COPIED OR USED AS THE BASIS OF MANUFACTURE OR SALE OF APPARATUS AND /OR DEVICES OR OTHERWISE WITHOUT SIGHTLOGIX' PRIOR WRITTEN CONSENT.

SIGHTLOGIX, INC.		PRINCETON, NJ		SCALE: 1:2	SHEET 1 OF 2
SIGHTLOGIX COMPONENT PARTS ARE ROHS COMPLIANT		TOLERANCES UNLESS SPECIFIED.		DRAWN BY /DATE:	TITLE:
ALL DIMENSIONS ARE IN INCHES UNLESS OTHERWISE SPECIFIED		0.0	±	.030	S van der Wal 8/17/2018
THIRD ANGLE PROJECTION		0.00	±	.015	
		0.000	±	.003	
		ANGULAR ± 1/2°		CHECKED BY /DATE:	SL-MNT-WM100 with SL-MNT-PM200 Pole Mount
				DESIGNED BY /DATE:	SIZE C DWG. NO. REV -



THESE DRAWINGS AND SPECIFICATIONS ARE THE PROPERTY OF AND PROPRIETARY TO SIGHTLOGIX, INC., AND ARE NOT TO BE DISCLOSED, REPRODUCED, COPIED OR USED AS THE BASIS OF MANUFACTURE OR SALE OF APPARATUS AND /OR DEVICES OR OTHERWISE WITHOUT SIGHTLOGIX' PRIOR WRITTEN CONSENT.

SIGHTLOGIX, INC.		PRINCETON, NJ		SCALE: 1:2	SHEET 2 OF 2
SIGHTLOGIX COMPONENT PARTS ARE ROHS COMPLIANT		TOLERANCES UNLESS SPECIFIED.		DRAWN BY /DATE: S van der Wal 8/17/2018	
ALL DIMENSIONS ARE IN INCHES UNLESS OTHERWISE SPECIFIED		0.0 ± .030	± .015	TITLE: SL-MNT-WM100	
THIRD ANGLE PROJECTION		0.000 ± .003	± .003	Checked by /DATE:	
		ANGULAR ± 1/2°		SIZE C	DWG. NO. REV -

SL-MNT-WM100
Wall Mount