

Subject
V300001 Main Bracket Replacement

System or Parts affected

- V300001 – 30CFM Underhood Lite, Ford 6.7L 2011-16
- 1100212 - BRACKET, MAIN, V300001

Overview

With the discontinuation of the V300001 Underhood Lite 30cfm system, some key components are no longer in production including the part number 1100212 Main Bracket. (Figure 1)

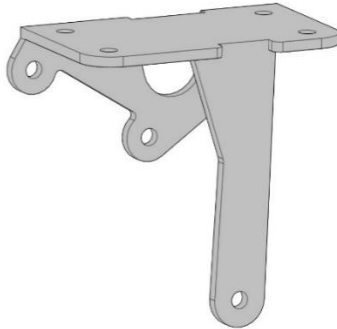


Figure 1

If a replacement main bracket is required for a V300001, the solution is part numbers A900018 ADAPTOR KIT, UHL FORD 6.7L and 1751025 HOSE, CRIMPED, 1/2" X 24.5".

The A900018 Adaptor kit was designed to adjust for a potential alternative water pump in 2017+ Ford trucks with 6.7L (See <https://kb.vmacair.com/help/v300011-and-v400011-water-pump-compatibility>) and was shipped with the V300011 and V400011 Underhood Lite systems, to be used if necessary.

NOTE When A900018 is used to replace a 1100212 main bracket, the air filter bracket part number 1200975 will not be used and can be disposed of.

The original 1100212 main bracket for V300001 was a welded steel assembly. The A900018 kit utilizes a cast aluminum main bracket and steel brace (Figure 2). The original discharge hose used with the steel main bracket will not work with the aluminum main bracket. Hose part number 1751025 (not included in adaptor kit) must also be ordered.

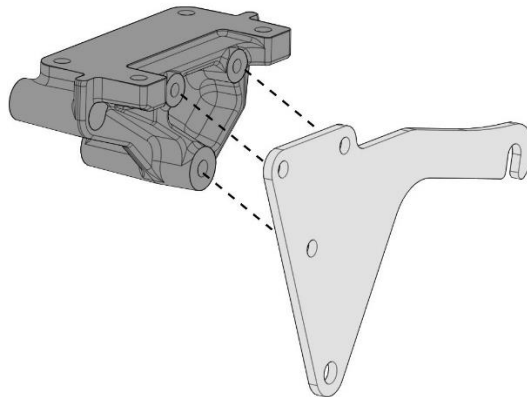


Figure 2

Document	Version	Department	Revision Details	Revised by	Tech	Engineering	Implemented
EXT-VL-008	A	Tech	Document Release	BDJ 21 Aug 2018	DSB 22 Aug 2018	N/A	22 Aug 2018