



Customer Services

SERVICE LETTER

No. 207

Piper Aircraft Corporation

Lock Haven, Pennsylvania, U.S.A.

June 18, 1953

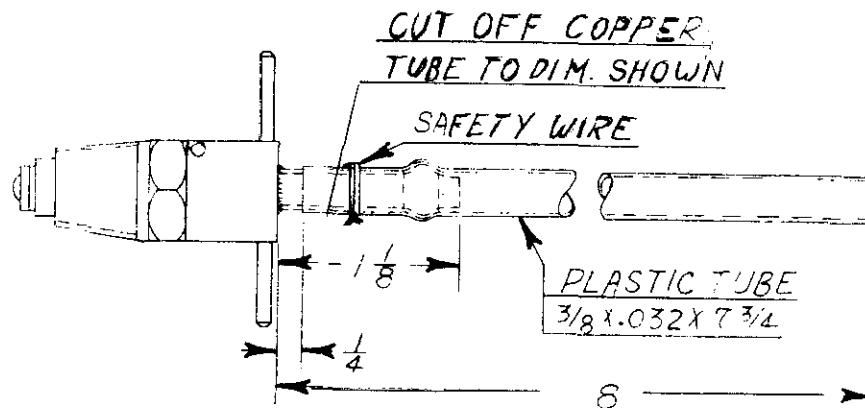
TO: All Distributors, Dealers and Owners

SUBJECT: Oil Quick Drain Valve Assembly, Part Number 12956-04

MODELS AFFECTED: All Models incorporating the use of the above valve

It has been brought to our attention that vibration has caused the quick oil drain valve to break at the rubber washer seal and also at the point where the copper drain tube is soldered.

To eliminate this condition it is recommended that the valve be modified in accordance with the sketch shown below. The plastic tube may be obtained from the Service Department of the Piper Aircraft Corporation on a No Charge basis. This plastic tube will be furnished on a No Charge basis until June 1, 1954.



PIPER AIRCRAFT CORPORATION

R. Boardman
Roland Boardman
Service Manager

RB:lh:z