

IMMEDIATE ACTION

SERVICE

NUMBER 76



BULLETIN

October 15, 1945

Rev. Date: 2-20-46

SUBJECT: Windshield Replacement

MODELS AFFECTED: J3 Series Airplanes With Formed Eyebrow
Fairing Tubes

In order to install a one-piece plexiglas windshield the following procedure is recommended:

1. Remove old windshield (4, Figure 1), eyebrow fairings (2, 3, Figure 1), and top center fairing (1, Figure 1).
2. Remove old windshield attachment tabs (5, Figure 1) from fuselage cowl.
3. Place new one-piece windshield, part number 10009-00, in position and attach at left and right sides. (See Figure 2.) On left side use new trimstrip, part number 53922-17, and attach with five (5) No. 6-32 x 1/2" machine screws and elastic stop nuts using old holes in superstructure.

NOTE: 1/4" holes should be used in the windshield at these attachments to allow for expansion and contraction of the windshield material. Maintain a minimum edge distance of 1/4". Drill holes carefully to prevent cracking of windshield.

Make same attachment on right side using new trimstrip, part number 54132-00.

4. Replace old top center fairing (1, Figure 1) and attach to windshield with three (3) No. 6-32 x 1/2" machine screws and elastic stop nuts. (1/4" holes in windshield). Use washers, part number 54161-00 and 85012-28, as shown in Figure 2.
5. Place attachment collar, part number 23942-00, in position and attach to fuselage cowl with eighteen (18) No. 6-32 x 3/8" machine screws and elastic stop nuts as shown in Figure 2. Place rubber beading No. 81511-10 over bottom edge of windshield to seal this attachment.

PIPER AIRCRAFT CORPORATION, LOCK HAVEN, PA., U. S. A.

NUMBER 76

6. Fit eyebrow fairings, part numbers 60803-00 and 60803-01, in position (trim if necessary) and attach to top rear edge with two (2) No. 4-36 x 3/8" machine screws, washer, part number 85012-13, and Tinnerman nut. Attach to butt rib capstrip with five (5) No. 4 Parker screws. Place rubber beading, part number 81511-06, under edge of fairing where it contacts the windshield.

NOTE: Soap and water is recommended to clean this windshield.

All material required to accomplish this windshield replacement can be obtained through your local dealer or distributor.

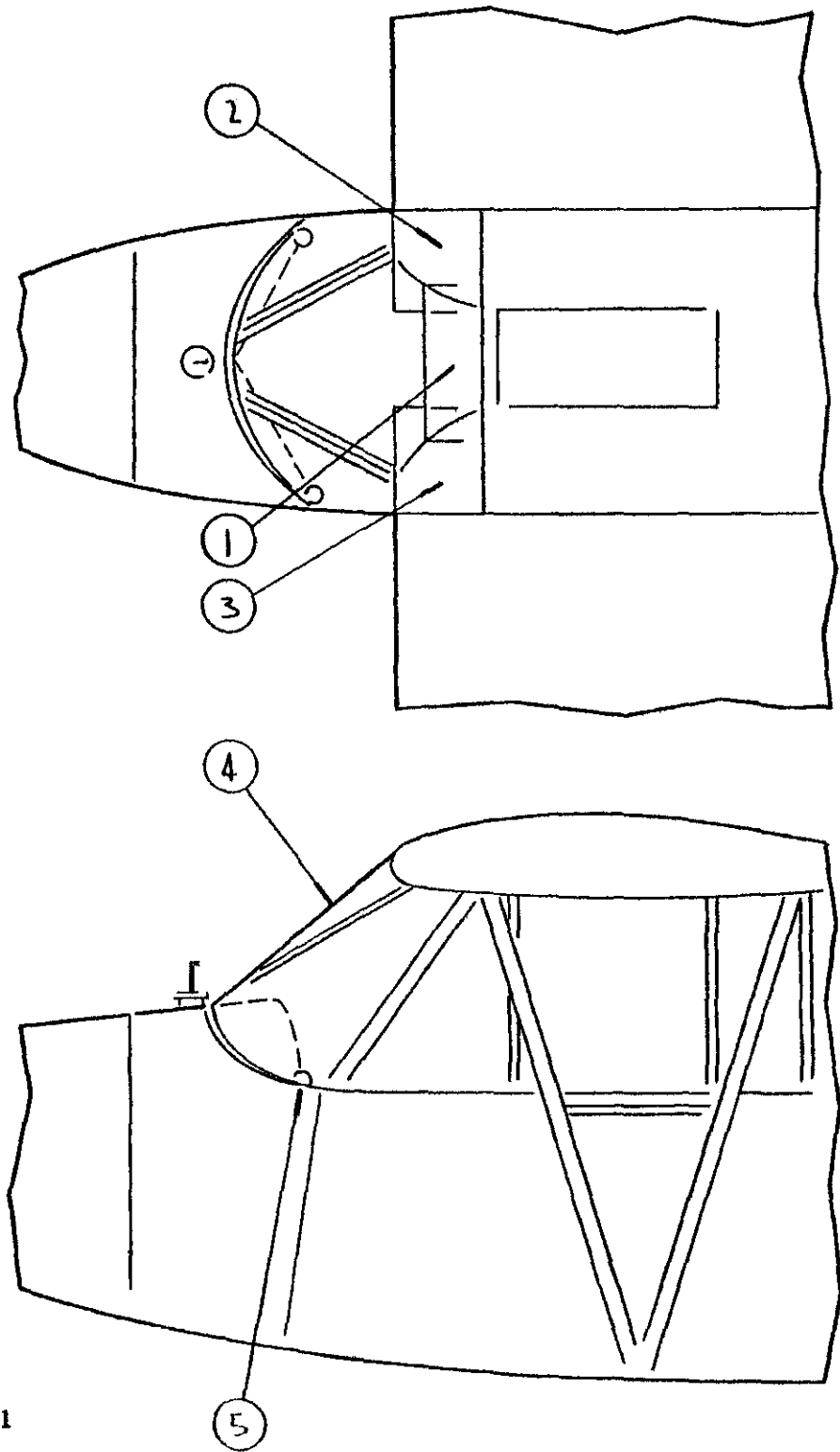


FIGURE 1

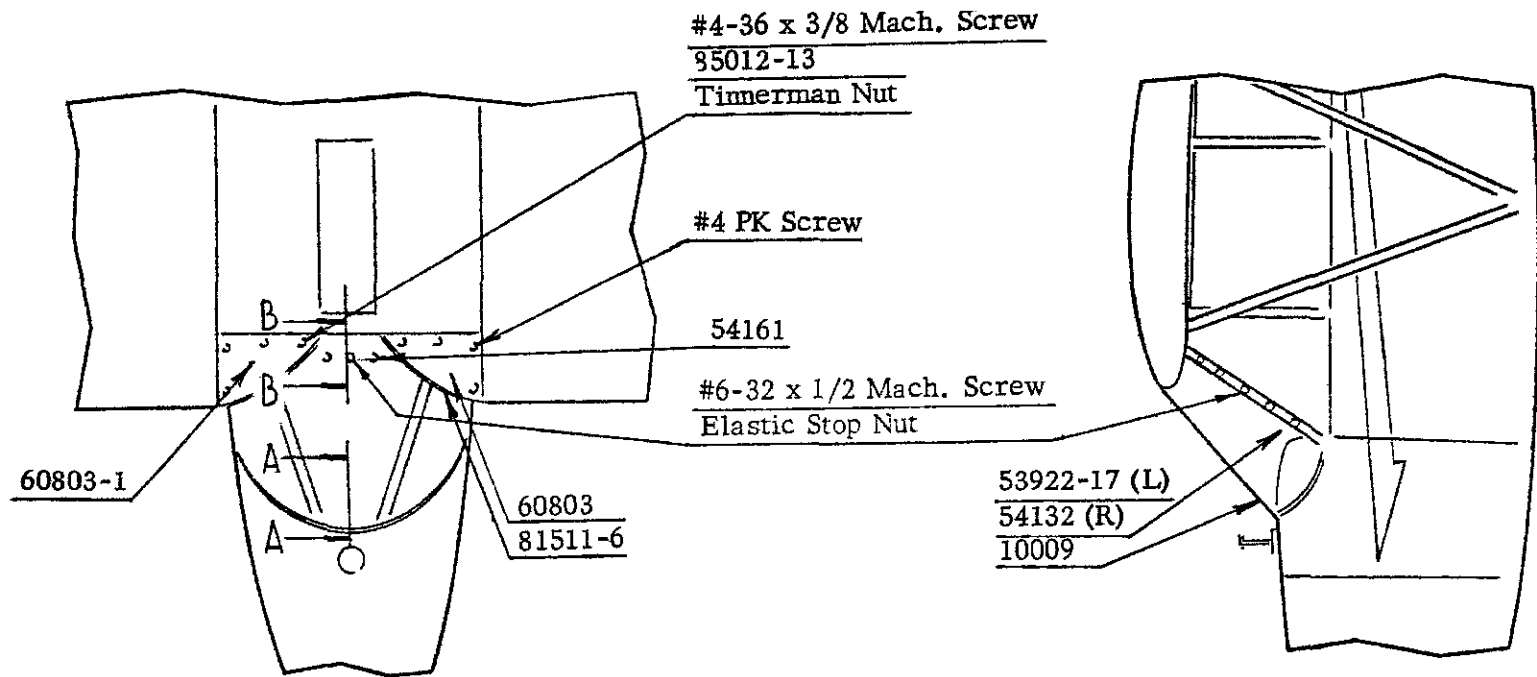
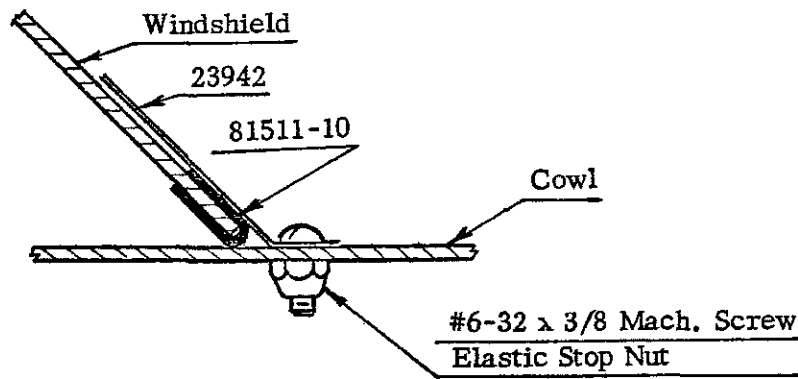
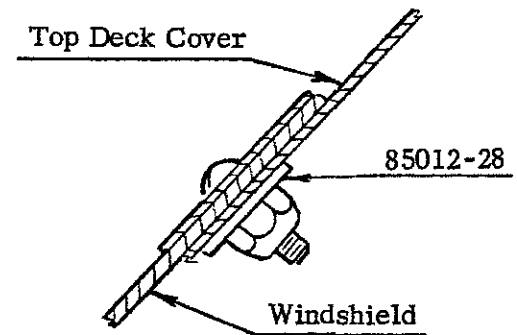


FIG. 2



SECTION A-A



SECTION B-B