

IMMEDIATE ACTION

SERVICE



BULLETIN

October 20, 1947

Bulletin No. 103

SUBJECT: Shock Strut Stop Discs

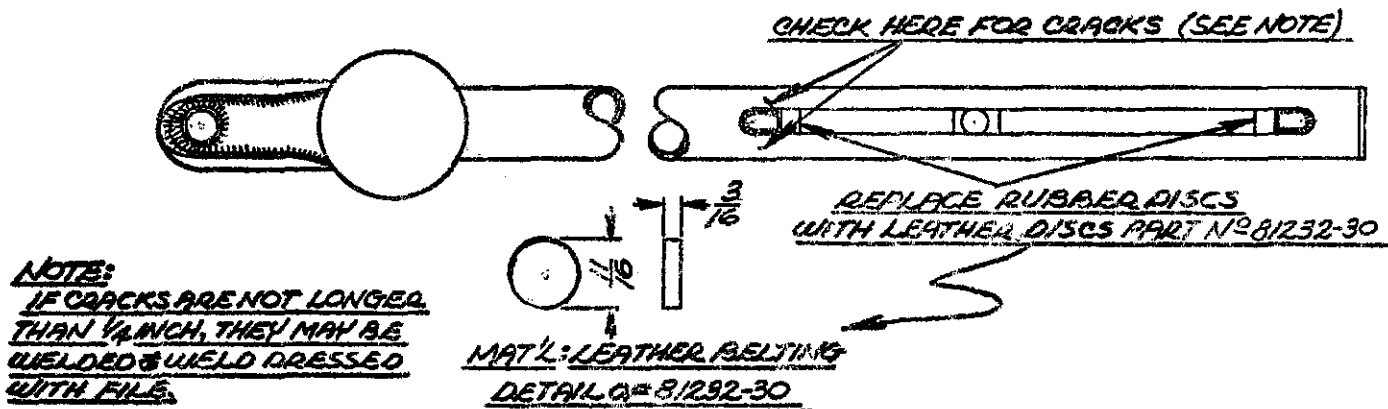
TO: Owners of J3 Series Airplanes Incorporating Landing Gear Approved For 1220 Lbs. Gross Weight and PA-11 Airplanes Serial Nos. 11-1 to 11-352 incl., 11-354 to 11-357 incl., 11-359, 11-361 to 11-369 incl., 11-371 to 11-375 incl., 11-377 to 11-385 incl., 11-387, 11-396 to 11-402 incl., 11-413, 11-414 and 11-430, also 11-1354 to 11-1474 incl.

The shock struts of the above listed airplanes incorporate rubber stop discs (Part No. 81232-13) at the ends of the stop bolt slots.

As these rubber discs require frequent replacement in service, and, in some cases, have caused deforming and cracking of the strut tube, it is recommended that they be replaced with leather discs (Part No. 81232-30) at the next periodic inspection, or when maintenance of the landing gear is necessary.

Parts 81232-30 are available from your Piper distributor, or may be made from belting leather.

An appropriate entry should be made in the aircraft log book upon completion of this change.



PIPER AIRCRAFT CORPORATION, LOCK HAVEN, PA.. U. S. A.