

# SERVICE



# LETTER

Service Letter No. 109

October 15, 1947

SUBJECT: J3, PA-11 and PA-12 Winter Operation Recommendations

TO: Owners of J3, PA-11 and PA-12 Aircraft

Due to additional stress loads being applied on the landing gear, encountered during ski operation on PA-12 Aircraft, it is recommended that a streamline tube, Piper part number 11317 (two (2) required), be installed over the landing gear strap, as shown on the sketch on opposite side of this letter, which is taken from Piper drawing SK-198.

Installation of the streamline tube reinforcement strap, as mentioned above, is not only recommended for ski operation, but also for operation on rough and rolling fields, particularly at high altitudes where aircraft landing speeds are considerably higher than those encountered at near sea-level operations.

This added reinforcement to the strap is an additional brace for the purpose of carrying any extreme compression loads which may be induced in the plane of the strap, due to inertia, or side loads, which are apparently being encountered in landings while operating on skis, or on severely rutted and rolling fields.

PA-12 four cylinder priming kits, part number 750 763, are available at \$2.90 list, which includes installation instructions.

The carburetor accelerator pump lever on the PA-11 is provided with a number of holes for adjusting the pump travel for winter and summer operations. The linkage should be set to provide the longest stroke for extremely cold winter operation, and set to the shortest stroke for summer operation, thus leaving the intermediate setting for operation under moderate conditions.

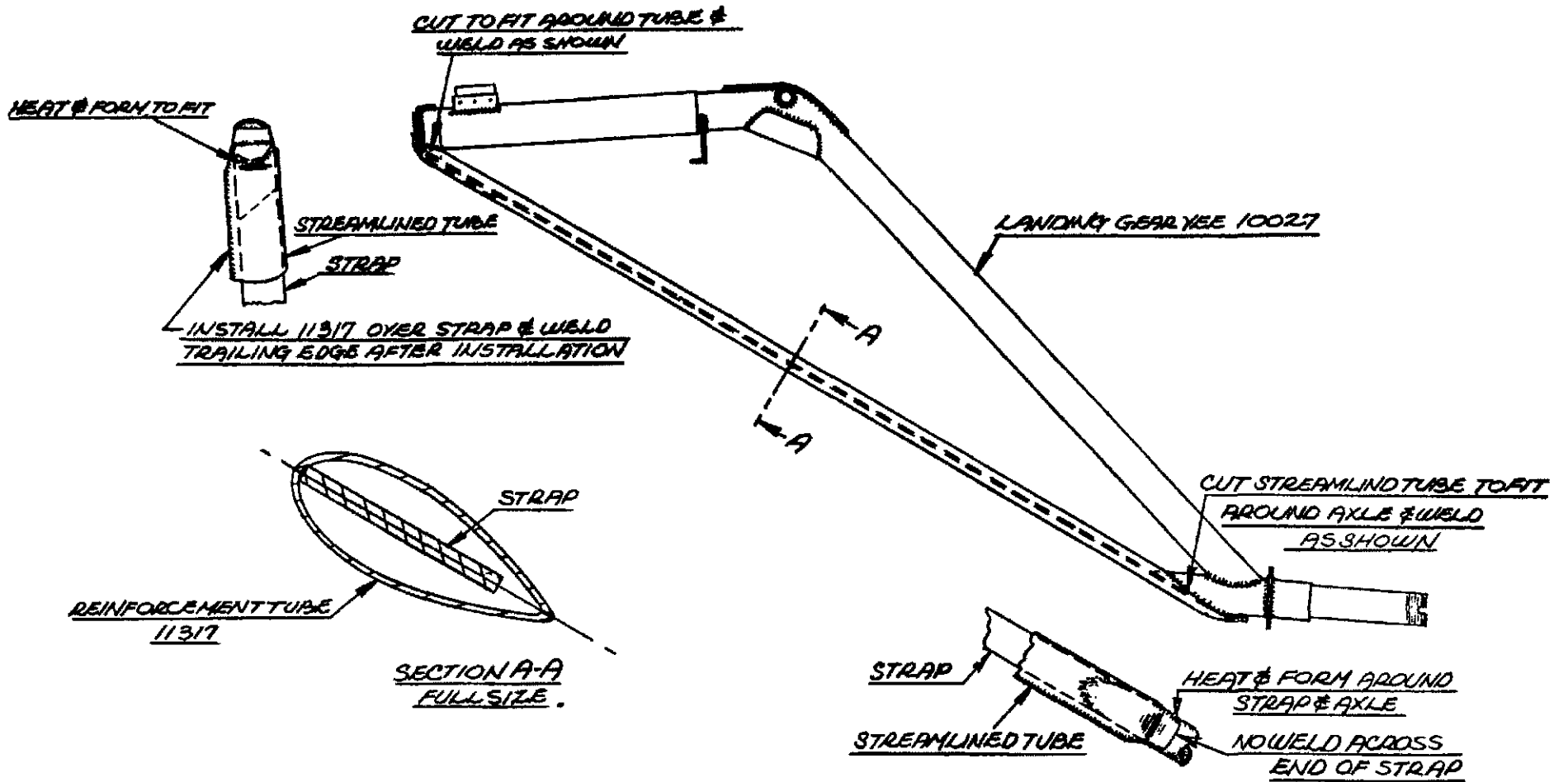
We suggest, however, that the proper setting for various weather conditions be determined by trial.

A drop of engine oil is recommended on the accelerator pump plunger rod at frequent intervals to assure free operation.

Winter oil tank covers (Wet Sump Engines) are available for PA-11's and J3's.

All parts mentioned herein are available through your Piper Distributor, or Dealer.

**PIPER AIRCRAFT CORPORATION, LOCK HAVEN, PA., U. S. A.**



**NOTE:**

This landing gear strap reinforcement does not eliminate Service Bulletin No. 93 or 97 compliance.

**FIGURE 1**  
**LANDING GEAR STRAP REINFORCEMENT**