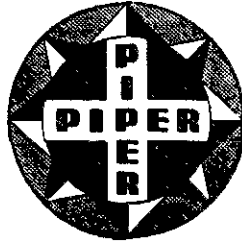


IMMEDIATE ACTION

SERVICE



BULLETIN

October 11, 1946

Number 87

SUBJECT: PLEXIGLAS WINDSHIELD

TO: OWNERS OF J5A AIRPLANES

MATERIAL REQUIRED:

- 1 Windshield Assembly - 10527
- 2 Windshield Attachment Clips - 10530
- 20 (1/8) Soft Aluminum Rivets
- 2 Pieces Rubber Beading - 81511-3
- 3 Pieces Rubber Beading - 81511-11
- 2 #6 P. K. Screws

In order to install a plexiglas windshield, the following procedure is recommended:

1. Remove the eyebrow fairings (1, Fig. I) and windshield (2, Fig. I).
2. The three 6" pieces of rubber beading (Part No. 81511-11) will be slipped over the lower edge of the windshield and cemented in place, one on either side of the windshield, adjacent to the windshield strip (Part No. 50241-5) and the third 6" piece will be at the front center of the windshield. These strips of beading will prevent the lower edge of the windshield from chafing through the fuselage cowl. (See Section A-A, Fig. II).
3. The triangular window (2, Fig. II) on the right and left sides are to be replaced by the owner, (using a minimum of .060 pyralin or vinylite). They are attached to the windshield assembly (Part No. 10527) by 1/8 soft aluminum rivets, using 10 on each side. (See Fig. II).
4. The windshield can now be installed by slipping the bottom edge under the windshield collar already attached to the fuselage cowl (3, Fig. II), and attached at the top by means of the two steel clips (Part No. 10530) included in the assembly. The clips will be slipped over the top edge of the windshield, formed around the windshield support tube and attached by means of #6 P. K. screws driven up through the clip and into the support tube at a point near the wire support attached to the fuselage sabane member on the right and left sides. (See Section B-B, Fig. II). The rubber beading (Part No. 81511-3) can now be placed around the windshield collar (4, Fig. II).

(See Opposite Side)

PIPER AIRCRAFT CORPORATION, LOCK HAVEN, PA., U. S. A.

(Continued)

5. The triangular window (2, Fig. II) having been attached to assembly No. 10527, may now be drawn back on right and left sides and attached as it was originally on the back and bottom edges.

6. The eyebrow fairings will be reinstalled as before, except, that the P. K. screws through the top center will have to be kept far enough aft to clear the top edge of the windshield. It is not advisable to drill through the plexiglas. The other piece of rubber beading (Part No. 81511-3) should be placed around the eyebrow fairings and cemented fast, using a good rubber cement such as "3M", Goodyear, or their equivalents.

All material needed for the above plexiglas windshield installation, may be purchased from your local dealer or distributor.

If you have sold your airplane, please forward this bulletin to the present owner.

SERVICE BULLETIN #87

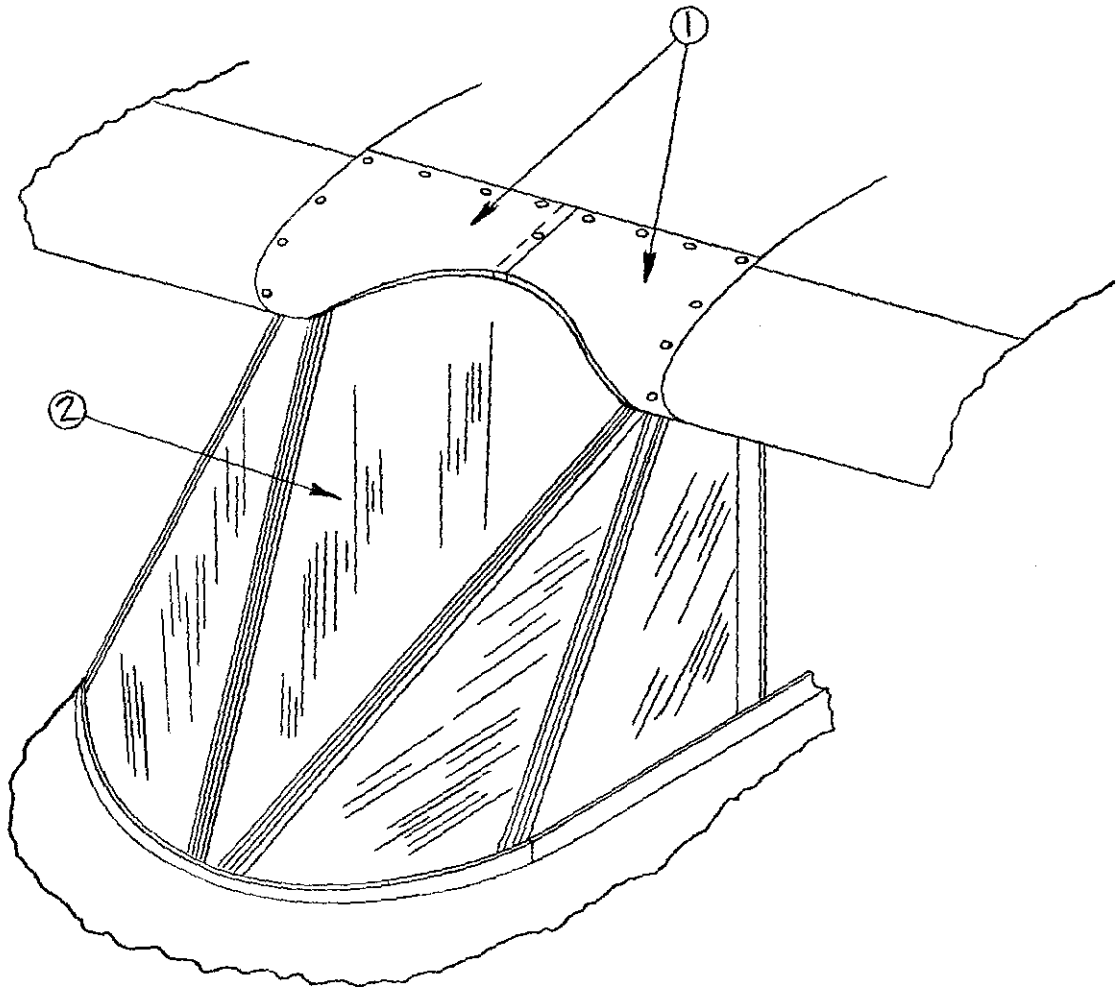


FIGURE I

SERVICE BULLETIN #87

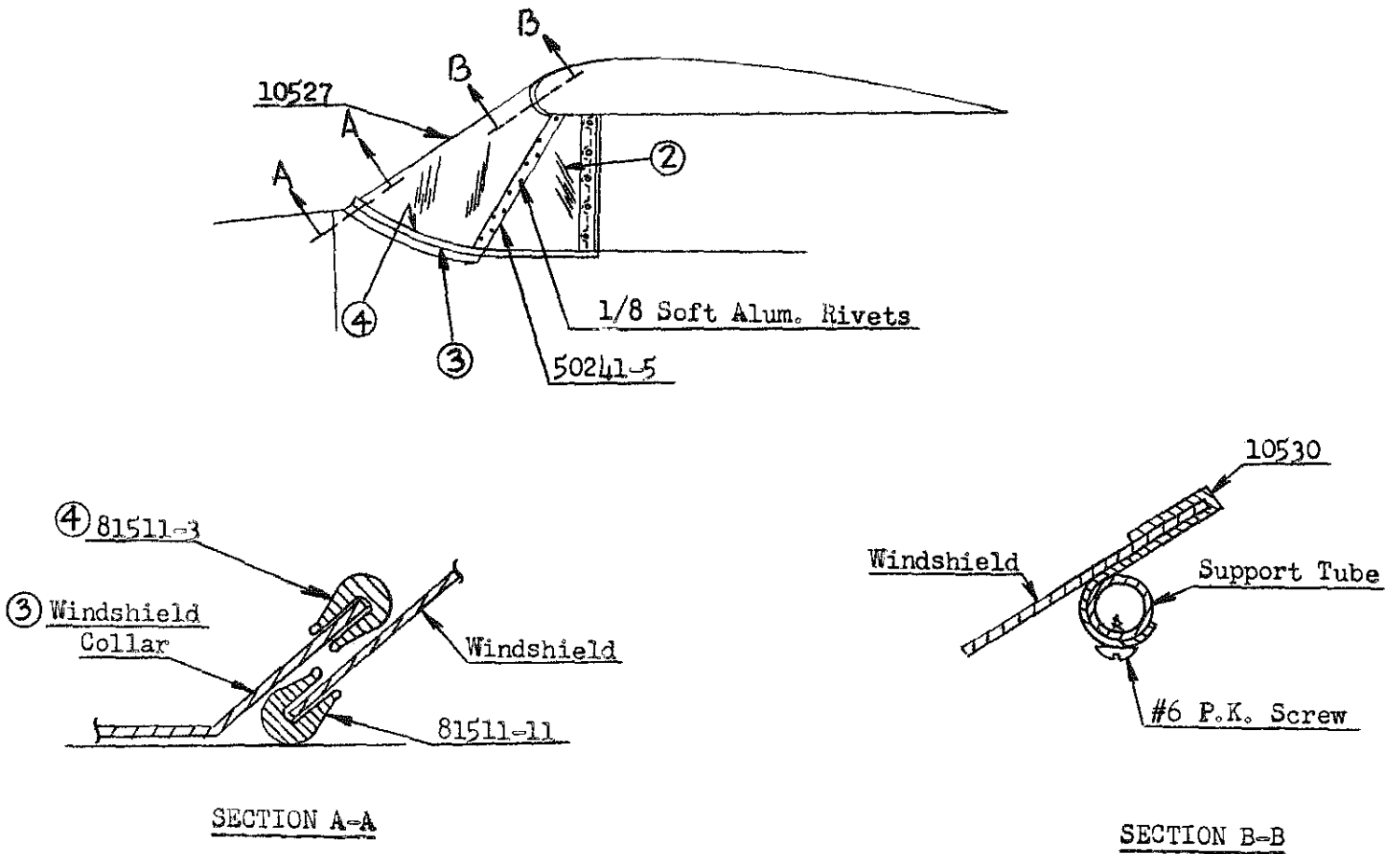


FIGURE II