

SERVICE

LETTER

Service Letter No. 358B
(Supersedes Service Letter No. 358A)

June 7, 1966

SUBJECT: Inspection of Engine and Nose Wheel Mount Assemblies

MODELS AFFECTED: PA-22 Tri-Pacers, Serial Nos. 22-1 to 22-7999 incl.
PA-22-108 Colts, Serial Nos. 22-8000 to 22-9848 incl.

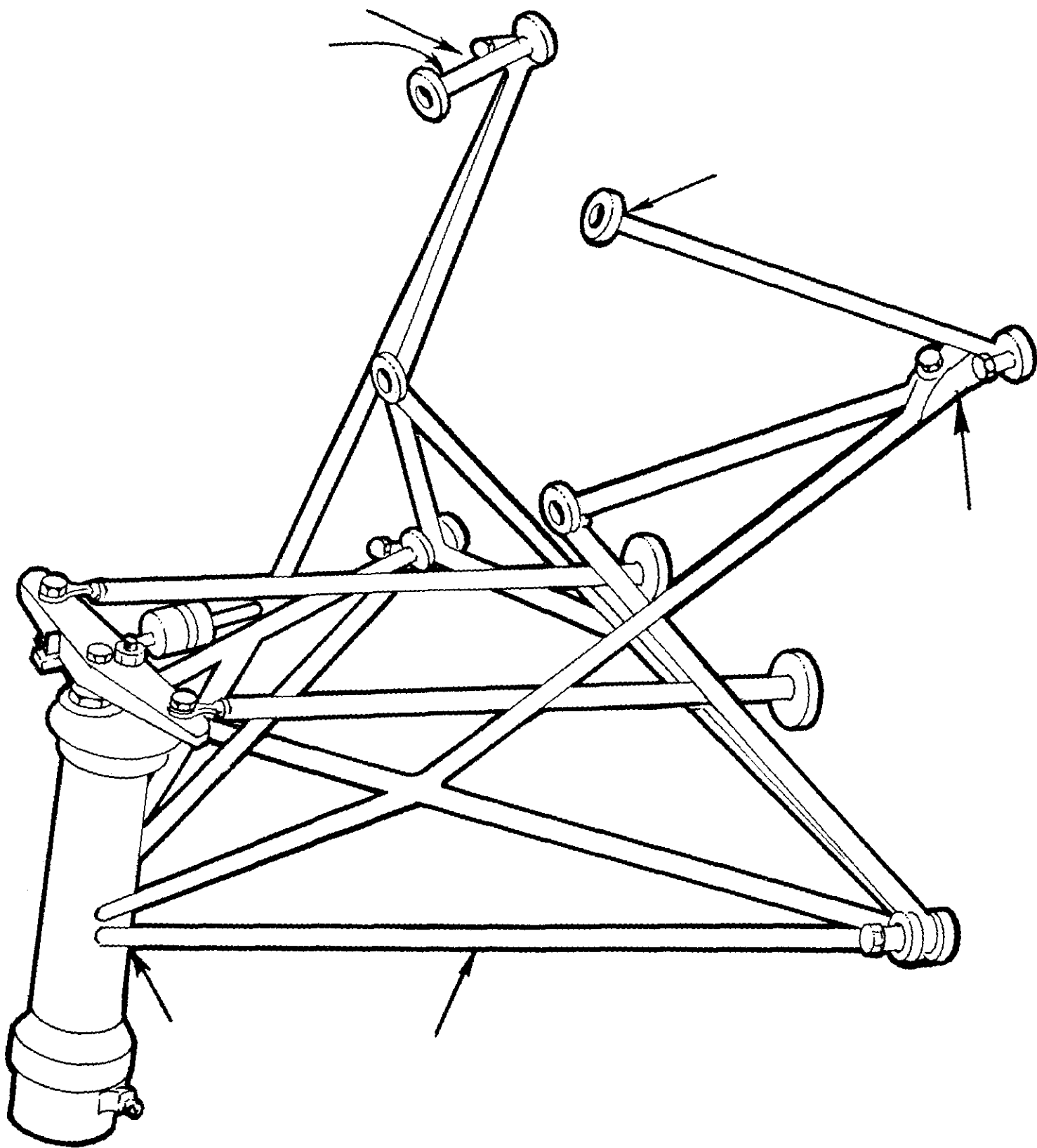
DATE OF COMPLIANCE: At each 100 Hour Inspection

Field service reports indicate that the inspection of the subject assemblies has not always been adequate as cracks have been observed that apparently escaped observation on previous inspections.

It is, therefore, requested that a more rigid visual inspection be made of the engine and nose wheel mounts for indication of cracks at each of the 100 hour inspections.

Reference to the sketch on the reverse side of this letter will indicate the areas where these cracks are most likely to appear; however, the entire assemblies should be thoroughly inspected.

Repairs, if necessary, shall be made in accordance with CAM 18.



SERVICE LETTER NO. 358B