

# SERVICE

# BULLETIN

Stinson Service Bulletin #266

February 1, 1950

Subject: Stinson Rudder Cables Model 108; 108-1; 108-2; and 108-3

To: All Owners of Stinson 108 Model

We have received several reports from the field that the core strands of the rudder cables were found to be broken at a point where the cable passes over the AN210-3A pulley at fuselage station 18.75, (immediately under rudder pedals.)

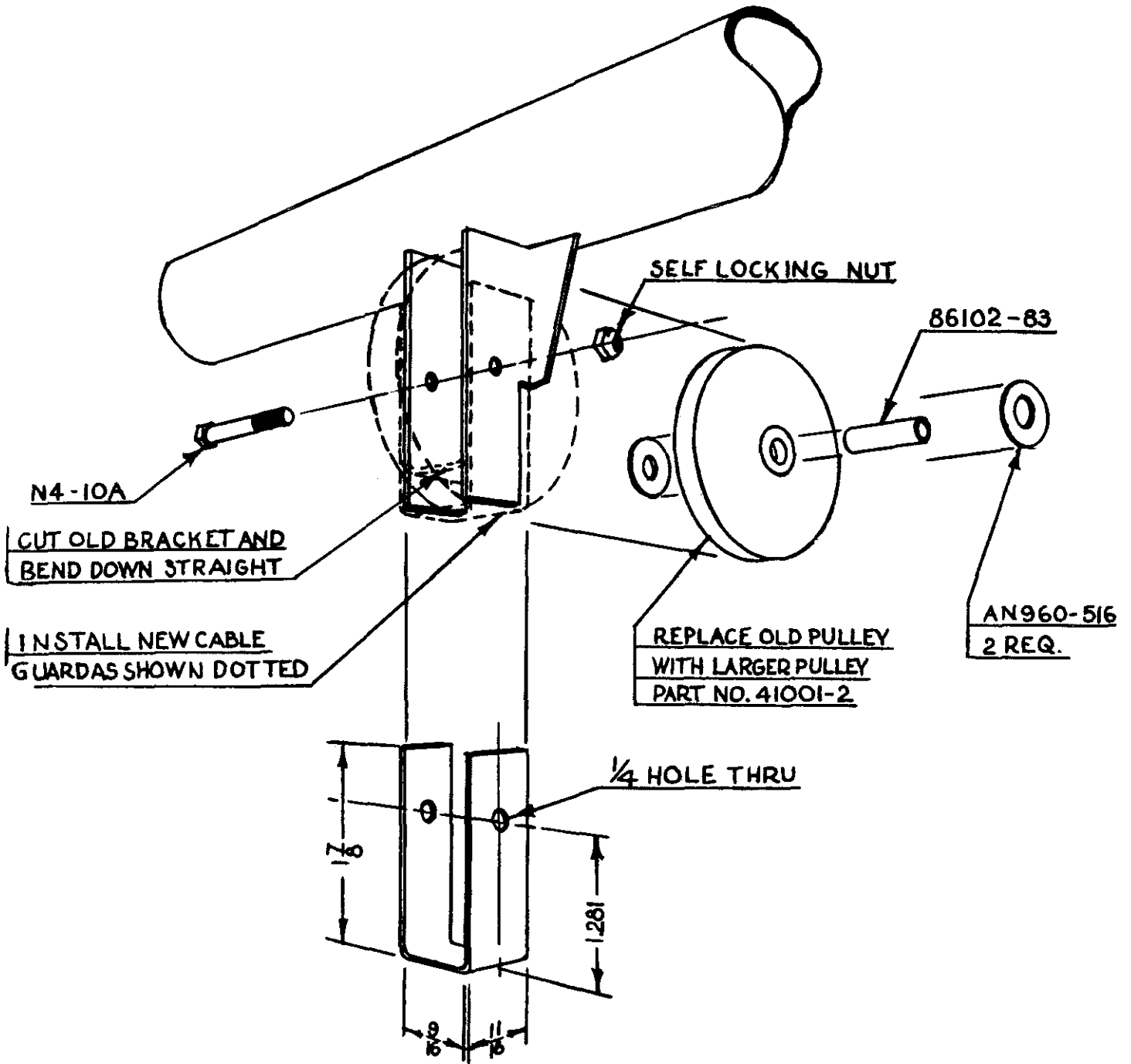
To determine whether or not the core strands are broken, it will be necessary to remove the cables from the pulleys, bend almost double and inspect either visually or by touch. The bending motion will cause any broken strands to pop through and protrude from the outer surface of the cable.

The cable strand breakage was caused by too great a degree of bend around the pulley. It is recommended that the pulley modification, as indicated on the accompanying sketch, be accomplished on all subject aircraft. The listed instructions should be followed in performing the modifications:

1. Remove the forward belly access door.
2. Remove the right and left hand landing gear fairing.
3. Peel back the forward edge of the landing gear dust cover strips, which are doped to the metal fuselage cowl, far enough to uncover the pulleys on both sides of the airplane.
4. Remove the AN210-3A Pulley.
5. Cut the pulley brackets, as indicated on sketch.
6. Install two Part Number 41001-2 pulleys and two Part Number SK253-2 Cable Guards.
7. If rudder cables show signs of breakage, they must be replaced.
8. Redope the landing gear dust cover strips to the fuselage cowl.
9. Replace the right and left landing gear fairings.
10. Replace the forward belly access door.

RB:df

#266 SHY 2



CUT OLD BRACKET AND  
BEND DOWN STRAIGHT

INSTALL NEW CABLE  
GUARDS SHOWN DOTTED

SELF LOCKING NUT

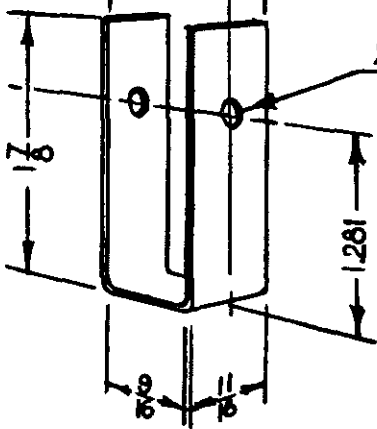
86102-83

N4-10A

AN960-516  
2 REQ.

REPLACE OLD PULLEY  
WITH LARGER PULLEY  
PART NO. 41001-2

1/4 HOLE THRU



SK 253-2 CABLE GUARD  
.045 #1025 STEEL

PULLEY BRACKET MODIFICATION  
STINSON 108