

---

# **SINGLE VISION**

TECHNICAL SHEET

---

# CLEAR & TRANSITIONS®

Single Vision | Advanced

## OAKLEY® ESSENTIAL PLUS

### CHARACTERISTICS

Processing	Stock
UV Protection	100%
Front Geometry	Spherical / Aspherical
Back Geometry	---
Precal	Not Available

### ADDITIONAL PARAMETERS

	Not Available
--	---------------

### TIPS FOR CENTRATION (BOXING SYSTEM)

Minimum fitting height	10 mm
------------------------	-------

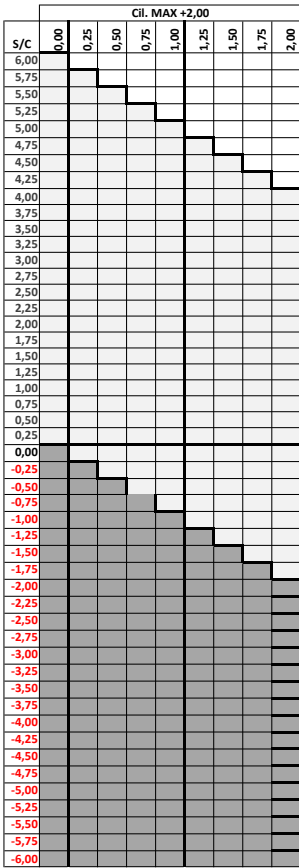
### AVAILABILITY

			1.50	1.59	1.60	1.67	1.74
Clear	Oakley Standard AR		•	---	•	•	---
	Oakley Stealth™ Pro		•	---	•	•	---
Oakley Blue Ready	Oakley Standard AR		•	---	•	•	---
	Oakley Stealth™ Pro		•	---	•	•	---
TRANSITIONS® Gen8™	Oakley Standard AR	Grey	•	---	•	---	---
		Brown	•	---	•	---	---
		Graphite Green	•	---	•	---	---
		Amber	---	---	---	---	---
		Sapphire	---	---	---	---	---
		Amethyst	---	---	---	---	---
		Emerald	---	---	---	---	---
	Oakley Stealth™ Pro	Grey	•	---	•	---	---
		Brown	•	---	•	---	---
		Graphite Green	•	---	•	---	---
		Amber	---	---	---	---	---
		Sapphire	---	---	---	---	---
		Amethyst	---	---	---	---	---
		Emerald	---	---	---	---	---
TRANSITIONS® XTRActive®	Oakley Standard AR	Grey	---	---	---	---	---
		Brown	---	---	---	---	---
		Graphite Green	---	---	---	---	---
	Oakley Stealth™ Pro	Grey	---	---	---	---	---
		Brown	---	---	---	---	---
		Graphite Green	---	---	---	---	---

POWER GRID

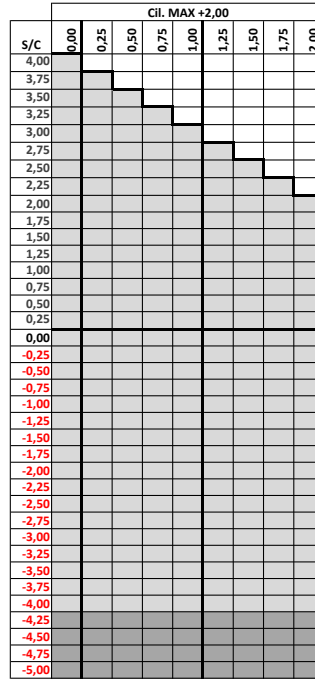
1.50 SPH \_ Clear & Blue Light

Oakley Standard AR



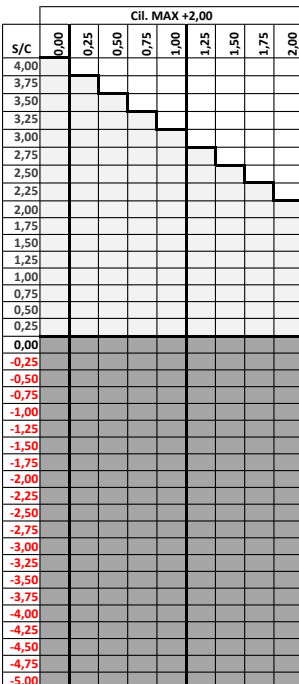
1.50 SPH \_ Clear

Oakley Stealth™ Pro AR



1.50 SPH \_ Blue Light

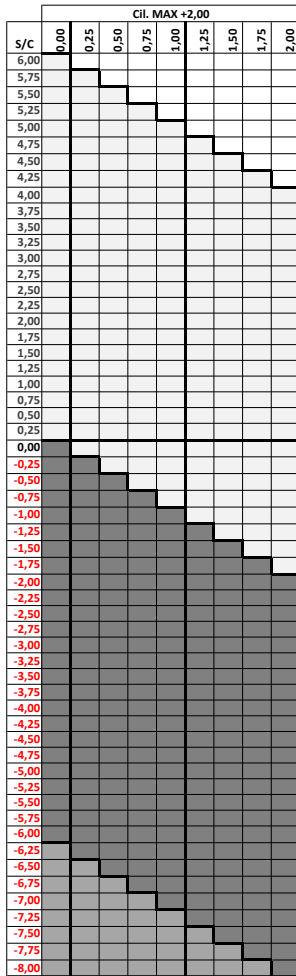
Oakley Stealth™ Pro AR



POWER GRID

1.60 SPH \_ Clear & Blue Light

Oakley Standard AR



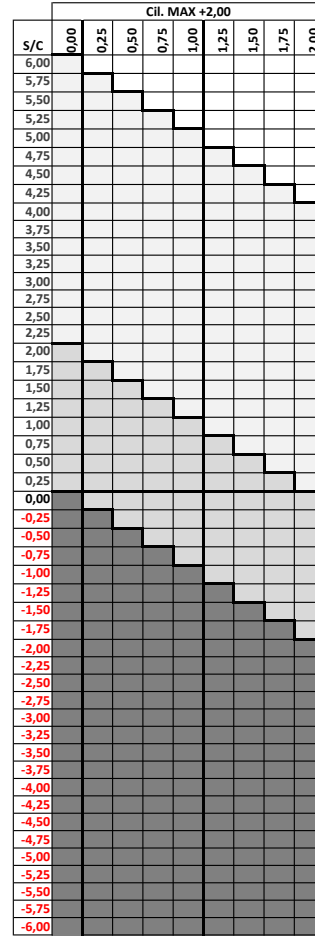
65

75

70

1.60 SPH \_ Clear & Blue Light

Oakley Stealth™ Pro AR



65

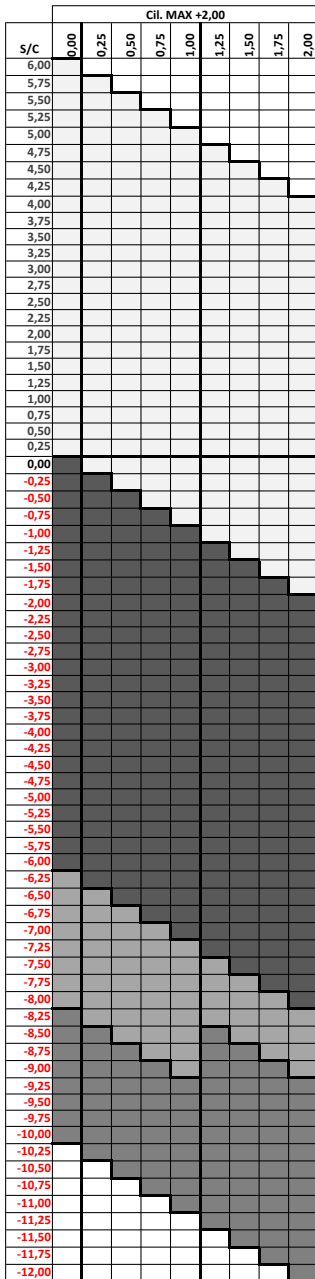
65-70

75

POWER GRID

1.67 ASPH \_ Clear & Blue Light

Oakley Standard AR



65

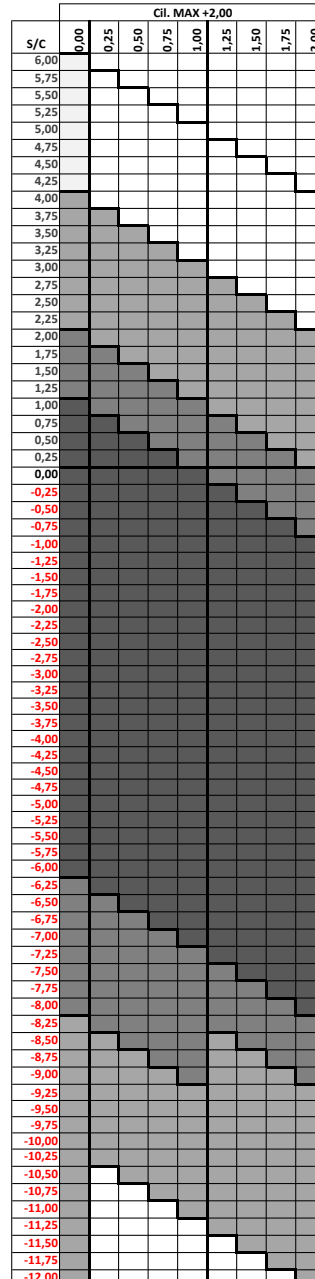
80

70

75

1.67 ASPH \_ Clear & Blue Light

Oakley Stealth™ Pro AR



65

70

75

80

75

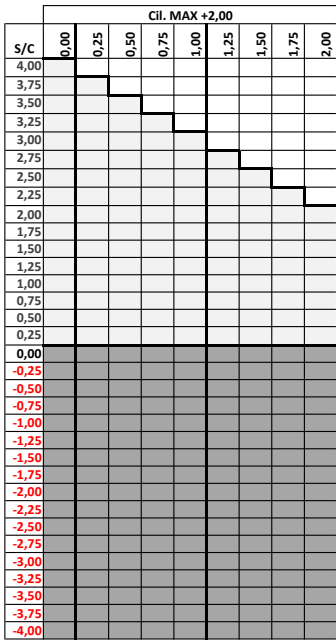
70



POWER GRID

1.50 SPH \_ Transitions Gen8™

Oakley Standard AR - Oakley Stealth™ Pro AR

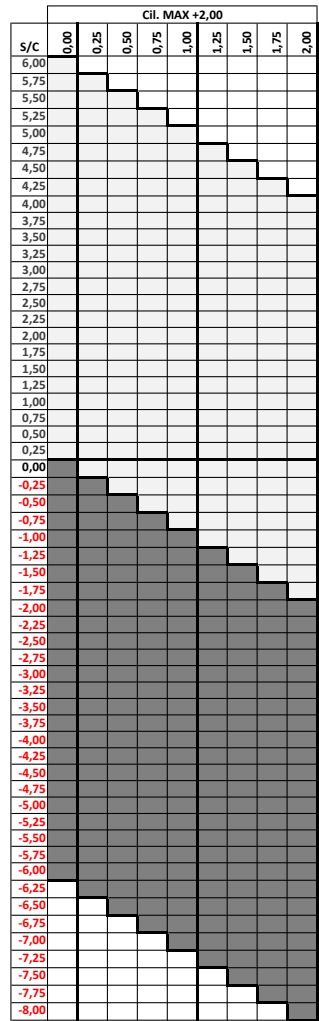


65

70

1.60 SPH \_ Transitions Gen8™

Oakley Standard AR - Oakley Stealth™ Pro AR



65

75

# CLEAR & TRANSITIONS®

Single Vision | Premium

## OTD™

### CHARACTERISTICS

Processing	OTD™ (Digital)	
UV Protection	100%	
Front Geometry	Spherical	
Back Geometry	Free Form	
Precal	Included	

### ADDITIONAL PARAMETERS

Vertex Distance (BVD)	from/to 5/22 mm	Optional
Pantoscopic Angle (TILT)	from/to -5/25°	Optional
Wrap Angle (WRAP)	from/to 0/25°	Optional

### TIPS FOR CENTRATION (BOXING SYSTEM)

Minimum fitting height	10 mm	
------------------------	-------	--



For the best working of a spherical lens, centration has to be accurate on the optical axis, following interpupillar semi-distance and fitting height.

### AVAILABILITY

			1.50	1.59	1.60	1.67	1.74
Clear	Oakley Standard AR		•	---	•	•	•
	Oakley Stealth™ Pro		•	---	•	•	•
Oakley Blue Ready	Oakley Standard AR		•	---	•	•	•
	Oakley Stealth™ Pro		•	---	•	•	•
TRANSITIONS® Gen8™	Oakley Standard AR	Grey	•	---	•	•	•
		Brown	•	---	•	•	•
		Graphite Green	•	---	•	•	---
		Amber	•	---	•	•	---
		Sapphire	•	---	•	•	---
		Amethyst	•	---	•	•	---
	Oakley Stealth™ Pro	Emerald	•	---	•	•	---
		Grey	•	---	•	•	•
		Brown	•	---	•	•	•
		Graphite Green	•	---	•	•	---
		Amber	•	---	•	•	---
		Sapphire	•	---	•	•	---
		Amethyst	•	---	•	•	---
		Emerald	•	---	•	•	---
TRANSITIONS® XTRActive®	Oakley Standard AR	Grey	•	---	•	•	---
		Brown	•	---	•	•	---
		Graphite Green	•	---	•	•	---
	Oakley Stealth™ Pro	Grey	•	---	•	•	---
		Brown	•	---	•	•	---
		Graphite Green	•	---	•	•	---

# CLEAR & TRANSITIONS®

Single Vision | Premium

**POWER RANGES**

		1.50	1.59	1.60	1.67	1.74
Clear	Min/Max Total Power	-12 / +10	---	-13 / +8	-13 / +9	-18 / +13
	Min/Max Cylinder	-/+ 4	---	-/+ 6	-/+ 6	-/+ 6
Oakley Blue Ready	Min/Max Total Power	-12 / +10	---	-13 / +8	-13 / +9	-18 / +13
	Min/Max Cylinder	-/+ 4	---	-/+ 6	-/+ 6	-/+ 6
TRANSITIONS® Gen8™	Min/Max Total Power	-12 / +10	---	-13 / +8	-13 / +9	-18 / +13
	Min/Max Cylinder	-/+ 4	---	-/+ 6	-/+ 6	-/+ 6
TRANSITIONS® XTRActive®	Min/Max Total Power	-12 / +10	---	-13 / +8	-13 / +9	---
	Min/Max Cylinder	-/+ 4	---	-/+ 6	-/+ 6	---

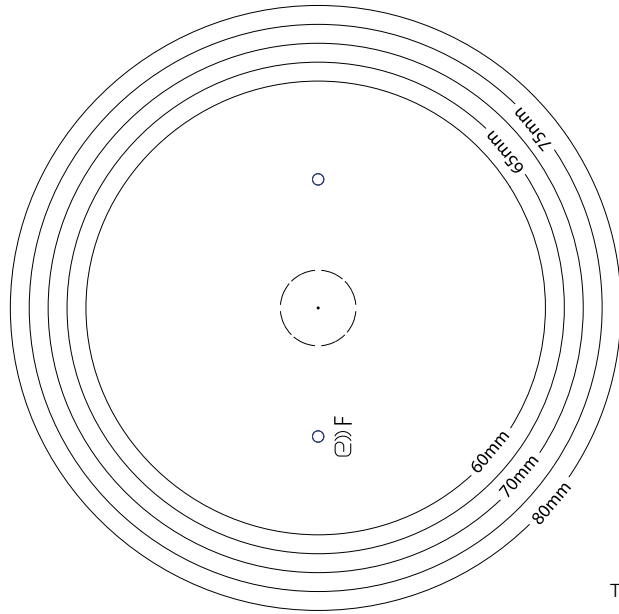
Total power to be intended as Sphere + Cylinder (like sign values)



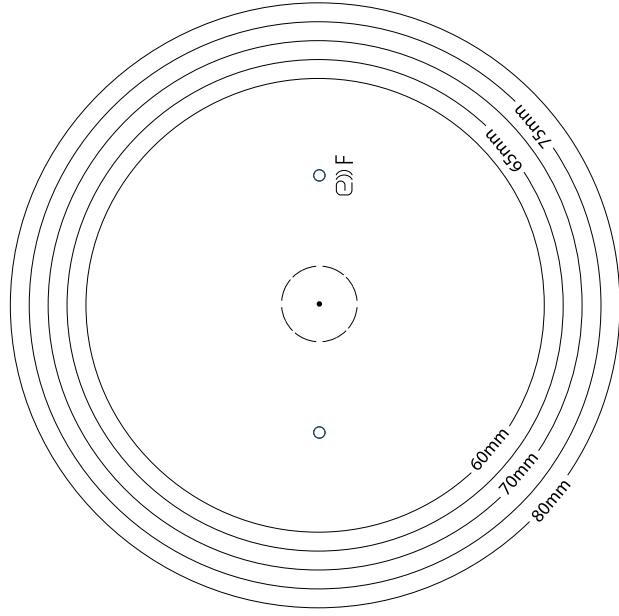
TECHNICAL SHEETS | CENTRATION CHART

# CLEAR & TRANSITIONS®

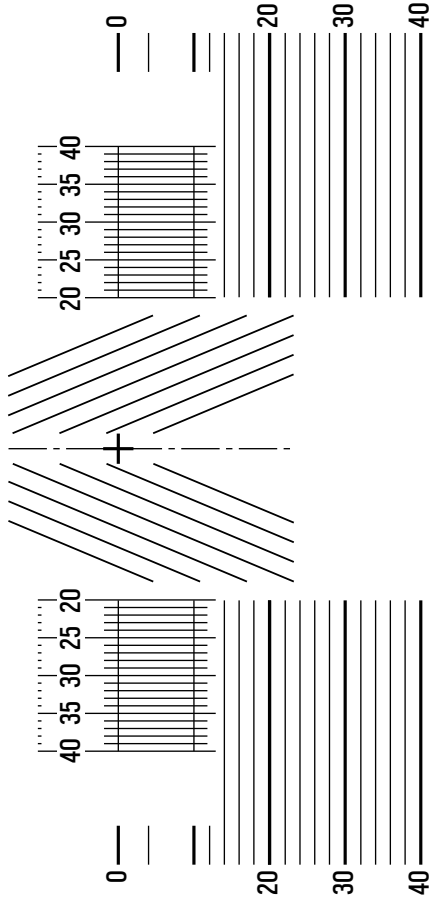
Single Vision | Premium



**L**



**R**



# CLEAR & TRANSITIONS®

Single Vision | Top

## OTD™ PLUS

### CHARACTERISTICS

Processing	OTD™ (Digital)
UV Protection	100%
Front Geometry	Spherical
Back Geometry	Free Form
Precal	Included

### ADDITIONAL PARAMETERS

Not Available

### TIPS FOR CENTRATION (BOXING SYSTEM)

Minimum fitting height	16 mm
------------------------	-------



For the best working of a spherical lens, centration has to be accurate on the optical axis, following inter-pupillary semi-distance and fitting height.

### AVAILABILITY

			1.50	1.59	1.60	1.67	1.74
			0.3_0.6_0.9	0.3_0.6_0.9	0.3_0.6_0.9	0.3_0.6_0.9	0.3_0.6_0.9
Clear	Oakley Standard AR		---	---	---	---	---
	Oakley Stealth™ Pro		---	---	---	---	---
Oakley Blue Ready	Oakley Standard AR		•	---	•	•	•
	Oakley Stealth™ Pro		•	---	•	•	•
TRANSITIONS® Gen8™	Oakley Standard AR	Grey	•	---	•	•	•
		Brown	•	---	•	•	•
		Graphite Green	•	---	•	•	---
		Amber	•	---	•	•	---
		Sapphire	•	---	•	•	---
		Amethyst	•	---	•	•	---
	Oakley Stealth™ Pro	Emerald	•	---	•	•	---
		Grey	•	---	•	•	•
		Brown	•	---	•	•	•
		Graphite Green	•	---	•	•	---
		Amber	•	---	•	•	---
		Sapphire	•	---	•	•	---
		Amethyst	•	---	•	•	---
		Emerald	•	---	•	•	---
TRANSITIONS® XTRActive®	Oakley Standard AR	Grey	---	---	---	---	---
		Brown	---	---	---	---	---
		Graphite Green	---	---	---	---	---
	Oakley Stealth™ Pro	Grey	---	---	---	---	---
		Brown	---	---	---	---	---
		Graphite Green	---	---	---	---	---

Boost Additions Available: 0.3 - 0.6 - 0.9 D

# CLEAR & TRANSITIONS®

Single Vision | Top

**POWER RANGES**

		1.50	1.59	1.60	1.67	1.74
Clear	Min/Max Total Power	---	---	---	---	---
	Min/Max Cylinder	---	---	---	---	---
Oakley Blue Ready	Min/Max Total Power	-10 / +6	---	-12 / +8	-14 / +9	-14 / +13
	Min/Max Cylinder	-/+ 4	---	-/+ 6	-/+ 6	-/+ 6
TRANSITIONS® Gen8™	Min/Max Total Power	-10 / +6	---	-12 / +8	-14 / +9	-14 / +13
	Min/Max Cylinder	-/+ 4	---	-/+ 6	-/+ 6	-/+ 6
TRANSITIONS® XTRActive®	Min/Max Total Power	---	---	---	---	---
	Min/Max Cylinder	---	---	---	---	---

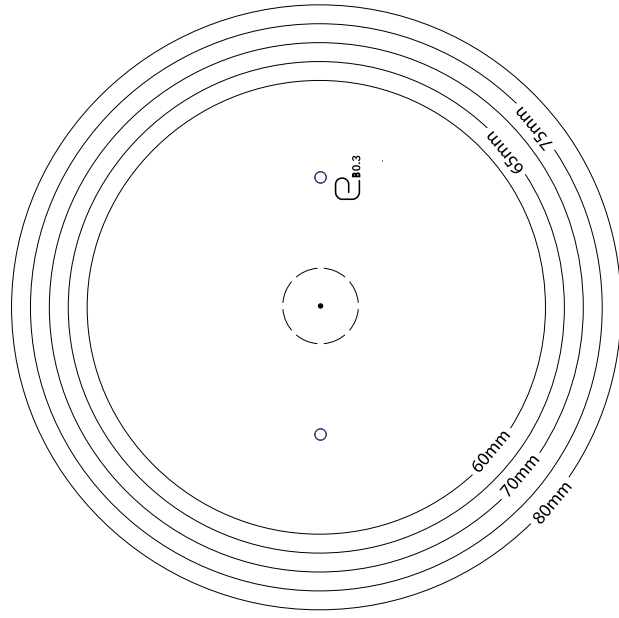
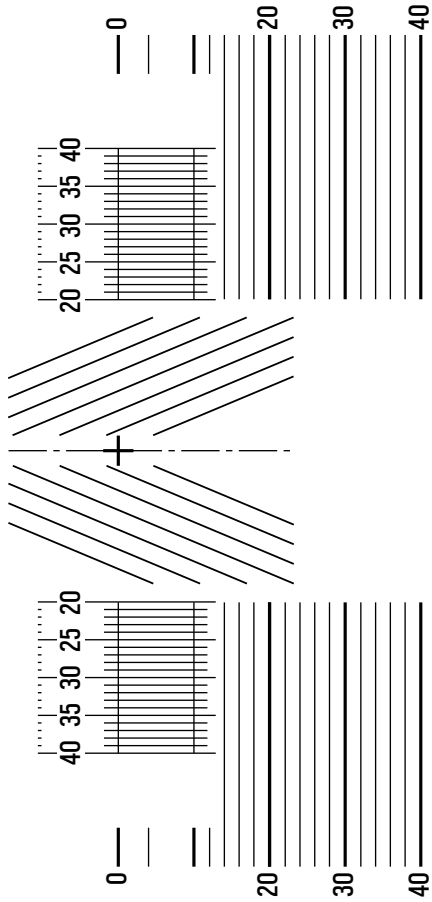
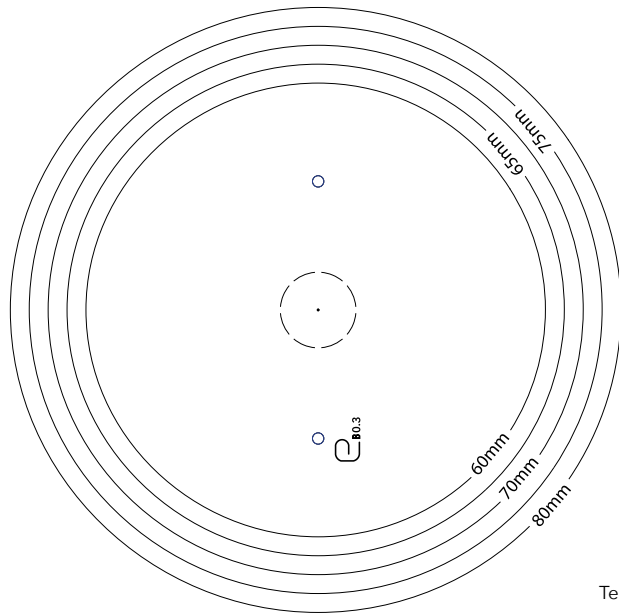
Total power to be intended as Sphere + Cylinder (like sign values)  
**Boost Additions Available: 0.3 - 0.6 - 0.9 D**

TECHNICAL SHEETS | CENTRATION CHART

# CLEAR & TRANSITIONS®

Single Vision | Top

$e_{R0.3}$   $e_{R0.6}$   $e_{R0.9}$



**L**

**R**



# CLEAR

## Single Vision | Premium

### PRIZM GAMING

#### CHARACTERISTICS

Processing	OTD™ (Digital)
UV Protection	100%
Front Geometry	Spherical
Back Geometry	Free Form
Precal	Included

#### ADDITIONAL PARAMETERS

Not Available

#### TIPS FOR CENTRATION (BOXING SYSTEM)

Minimum fitting height	10 mm
------------------------	-------



For the best working of a spherical lens, centration has to be accurate on the optical axis, following inter-pupillar semi-distance and fitting height.

#### AVAILABILITY

		PLUTONITE™ - 1.59
Clear	Oakley Standard AR	---
	Oakley Stealth™ Pro	•
Oakley Blue Ready	Oakley Standard AR	---
	Oakley Stealth™ Pro	---

#### POWER RANGES

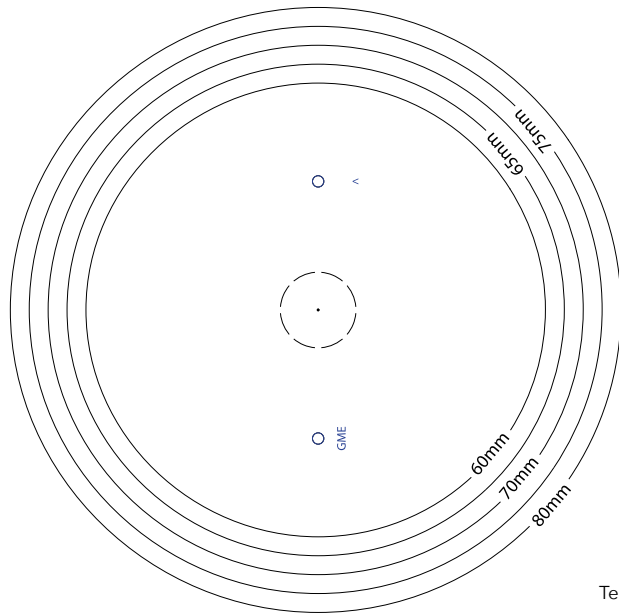
		PLUTONITE™ - 1.59
Clear	Min/Max Total Power	-8 / +6
	Min/Max Cylinder	-/+ 6
Oakley Blue Ready	Min/Max Total Power	---
	Min/Max Cylinder	---

Total power to be intended as Sphere + Cylinder (like sign values)

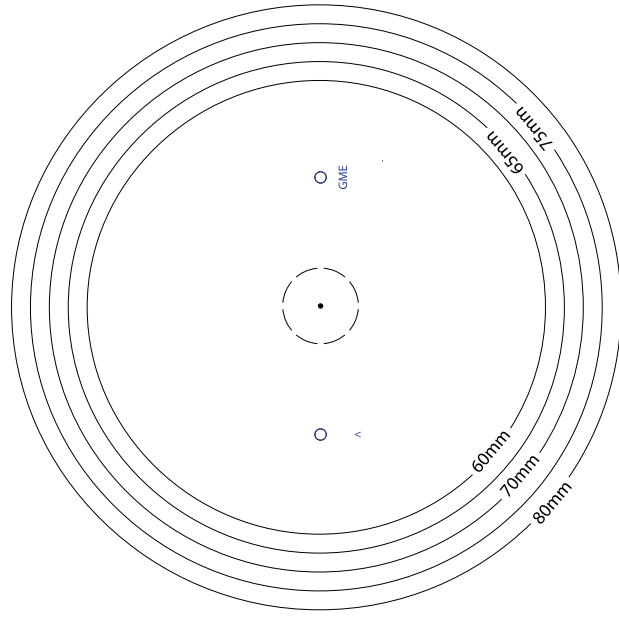


# CLEAR

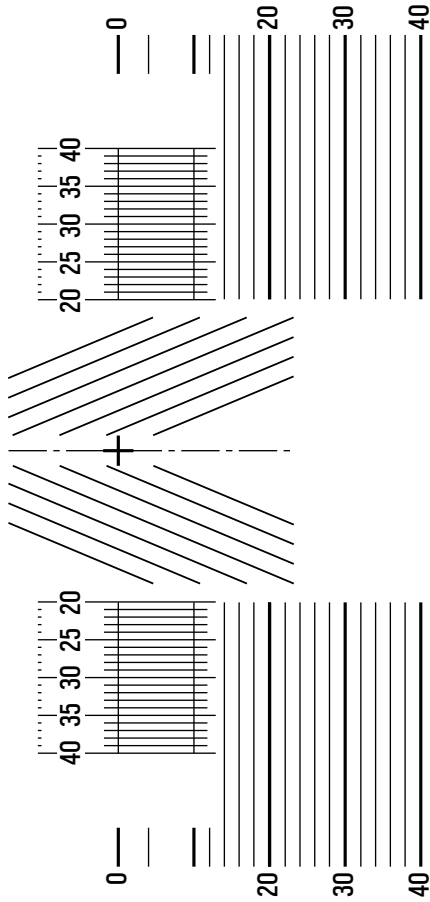
Single Vision | Premium



**L**



**R**



# YOUTH CLEAR

Single Vision | Premium

## OAKLEY® OTD YOUTH

### CHARACTERISTICS

Processing	OTD™ (Digital)
UV Protection	100%
Front Geometry	Spherical
Back Geometry	Free Form
Precal	Included

### ADDITIONAL PARAMETERS

Vertex Distance (BVD)	from/to 5/22 mm	Optional
Pantoscopic Angle (TILT)	from/to -5/25°	Optional
Wrap Angle (WRAP)	from/to 0/25°	Optional

### TIPS FOR CENTRATION (BOXING SYSTEM)

Minimum fitting height	10 mm
------------------------	-------



For the best working of a spherical lens, centration has to be accurate on the optical axis, following interpupillar semi-distance and fitting height.

### AVAILABILITY

		PLUTONITE™ - 1.59
Clear	Oakley Standard AR	---
	Oakley Stealth™ Pro	---
Oakley Blue Ready	Oakley Standard AR	---
	Oakley Stealth™ Pro	•

### POWER RANGES

		PLUTONITE™ - 1.59
Clear	Min/Max Total Power	-8 / +4
	Min/Max Cylinder	-/+ 6
Oakley Blue Ready	Min/Max Total Power	---
	Min/Max Cylinder	---

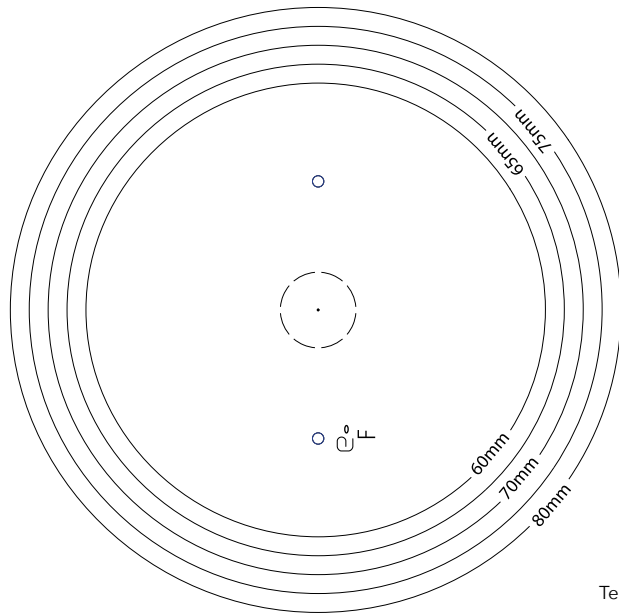
Total power to be intended as Sphere + Cylinder (like sign values)



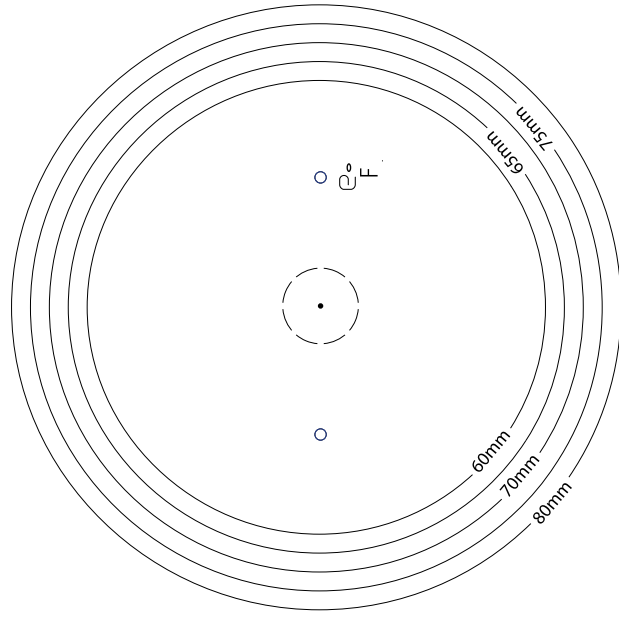
TECHNICAL SHEETS | CENTRATION CHART

# YOUTH CLEAR

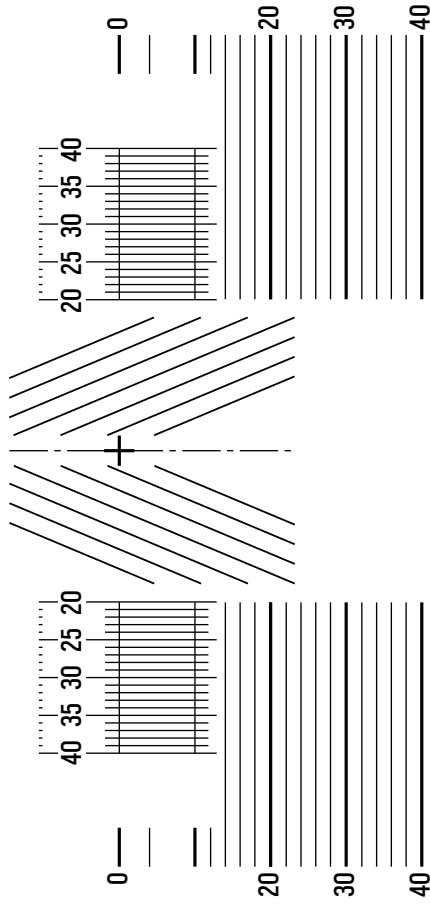
Single Vision | Premium



**L**



**R**





---

# PROGRESSIVE

TECHNICAL SHEET

---

# CLEAR & TRANSITIONS®

Progressive | Standard

## OTD™

### CHARACTERISTICS

Processing	OTD™ (Digital)
UV Protection	100%
Front Geometry	Spherical
Back Geometry	Free Form
Precal	Included
Channel	Fixed 18 mm
	Progression channel on back surface

### ADDITIONAL PARAMETERS

Not Available

### TIPS FOR CENTRATION (BOXING SYSTEM)

Minimum fitting height	19 mm
------------------------	-------



For the best working of a spherical lens, centration has to be accurate on the optical axis, following interpupillar semi-distance and fitting height.

### AVAILABILITY

			1.50	1.59	1.60	1.67	1.74
Clear	Oakley Standard AR		•	---	•	---	---
	Oakley Stealth™ Pro		•	---	•	---	---
Oakley Blue Ready	Oakley Standard AR		•	---	•	---	---
	Oakley Stealth™ Pro		•	---	•	---	---
TRANSITIONS® Gen8™	Oakley Standard AR	Grey	•	---	•	---	---
		Brown	•	---	•	---	---
		Graphite Green	•	---	•	---	---
		Amber	---	---	---	---	---
		Sapphire	---	---	---	---	---
		Amethyst	---	---	---	---	---
		Emerald	---	---	---	---	---
	Oakley Stealth™ Pro	Grey	•	---	•	---	---
		Brown	•	---	•	---	---
		Graphite Green	•	---	•	---	---
		Amber	---	---	---	---	---
		Sapphire	---	---	---	---	---
		Amethyst	---	---	---	---	---
		Emerald	---	---	---	---	---
TRANSITIONS® XTRActive®	Oakley Standard AR	Grey	•	---	•	---	---
		Brown	•	---	•	---	---
		Graphite Green	•	---	•	---	---
	Oakley Stealth™ Pro	Grey	•	---	•	---	---
		Brown	•	---	•	---	---
		Graphite Green	•	---	•	---	---



# CLEAR & TRANSITIONS®

Progressive | Standard

**POWER RANGES**

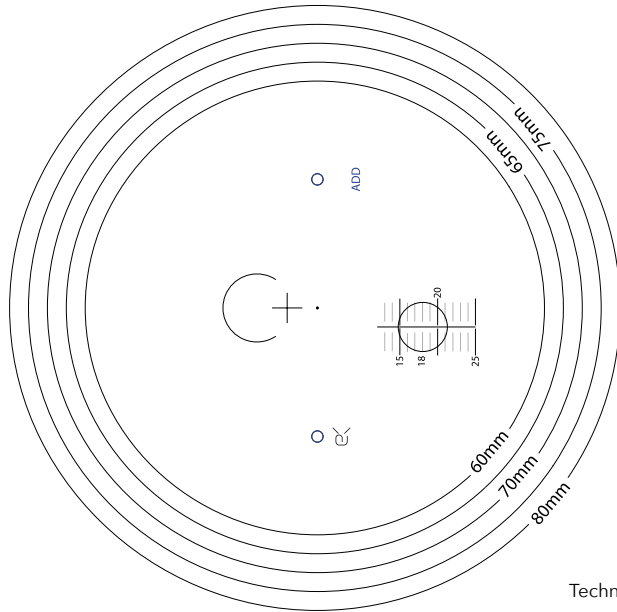
		1.50	1.59	1.60	1.67	1.74
Clear	Min/Max Total Power	-10 / +6	---	-12 / +8	---	---
	Min/Max Cylinder	-/+ 4	---	-/+ 6	---	---
Oakley Blue Ready	Min/Max Total Power	-10 / +6	---	-12 / +8	---	---
	Min/Max Cylinder	-/+ 4	---	-/+ 6	---	---
TRANSITIONS® Gen8™	Min/Max Total Power	-10 / +6	---	-12 / +8	---	---
	Min/Max Cylinder	-/+ 4	---	-/+ 6	---	---
TRANSITIONS® XTRActive®	Min/Max Total Power	---	---	---	---	---
	Min/Max Cylinder	---	---	---	---	---

Total power to be intended as Sphere + Cylinder (like sign values)  
**Available ADD values from 0,75 D to 3,50 D**

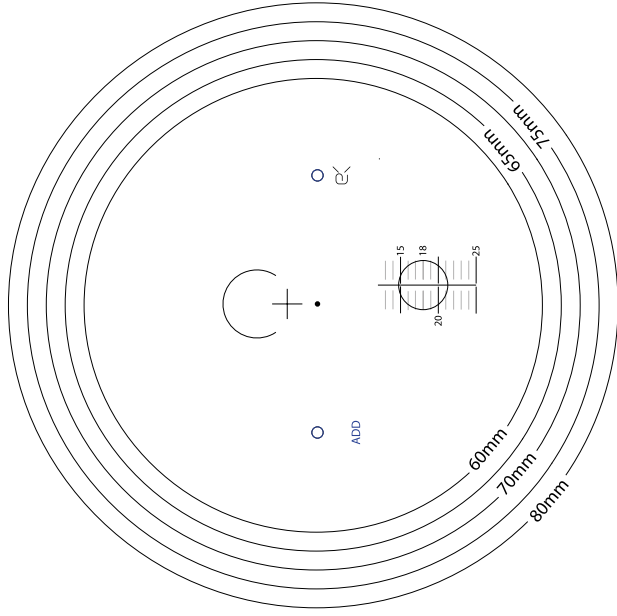
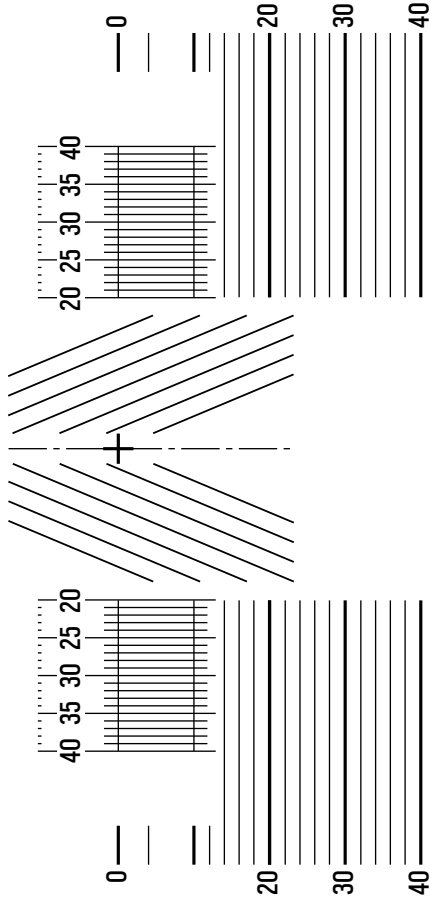
TECHNICAL SHEETS | CENTRATION CHART

# CLEAR & TRANSITIONS®

Progressive | Standard



**L**



**R**



# CLEAR & TRANSITIONS®

Progressive | Advanced

## OTD™ ADVANCE

CHARACTERISTICS		
Processing	OTD™ (Digital)	
UV Protection	100%	
Front Geometry	Spherical	
Back Geometry	Free Form	
Precal	Included	
Channel	Variable (progression length from 14 mm to 18 mm for 1/10 mm) Progression channel on back surface	
ADDITIONAL PARAMETERS		
Vertex Distance (BVD)	from/to 5/22 mm	Optional
Pantoscopic Angle (TILT)	from/to 0/25°	Optional
Wrap Angle (WRAP)	from/to 0/25°	Optional
TIPS FOR CENTRATION (BOXING SYSTEM)		
Minimum fitting height	15 mm	



For the best working of a spherical lens, centration has to be accurate on the optical axis, following interpupillar semi-distance and fitting height.

## AVAILABILITY

			1.50	1.59	1.60	1.67	1.74
Clear	Oakley Standard AR		•	---	•	•	---
	Oakley Stealth™ Pro		•	---	•	•	---
Oakley Blue Ready	Oakley Standard AR		•	---	•	•	---
	Oakley Stealth™ Pro		•	---	•	•	---
TRANSITIONS® Gen8™	Oakley Standard AR	Grey	•	---	•	•	---
		Brown	•	---	•	•	---
		Graphite Green	•	---	•	•	---
		Amber	---	---	---	---	---
		Sapphire	---	---	---	---	---
		Amethyst	---	---	---	---	---
		Emerald	---	---	---	---	---
	Oakley Stealth™ Pro	Grey	•	---	•	•	---
		Brown	•	---	•	•	---
		Graphite Green	•	---	•	•	---
		Amber	---	---	---	---	---
		Sapphire	---	---	---	---	---
		Amethyst	---	---	---	---	---
		Emerald	---	---	---	---	---
TRANSITIONS® XTRActive®	Oakley Standard AR	Grey	•	---	•	•	---
		Brown	•	---	•	•	---
		Graphite Green	•	---	•	•	---
	Oakley Stealth™ Pro	Grey	•	---	•	•	---
		Brown	•	---	•	•	---
		Graphite Green	•	---	•	•	---



# CLEAR & TRANSITIONS®

Progressive | Advanced

**POWER RANGES**

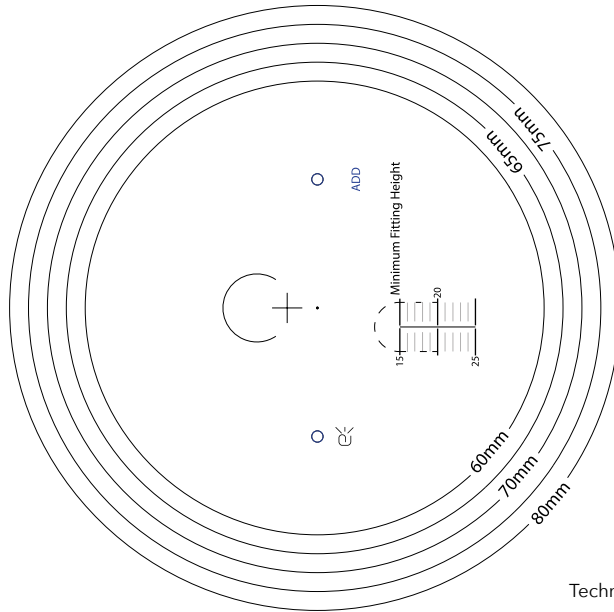
		1.50	1.59	1.60	1.67	1.74
Clear	Min/Max Total Power	-10 / +6	---	-12 / +8	-12 / +9	---
	Min/Max Cylinder	-/+ 4	---	-/+ 6	-/+ 6	---
Oakley Blue Ready	Min/Max Total Power	-10 / +6	---	-12 / +8	-12 / +9	---
	Min/Max Cylinder	-/+ 4	---	-/+ 6	-/+ 6	---
TRANSITIONS® Gen8™	Min/Max Total Power	-10 / +6	---	-12 / +8	-12 / +9	---
	Min/Max Cylinder	-/+ 4	---	-/+ 6	-/+ 6	---
TRANSITIONS® XTRActive®	Min/Max Total Power	-10 / +6	---	-12 / +8	-12 / +9	---
	Min/Max Cylinder	-/+ 4	---	-/+ 6	-/+ 6	---

Total power to be intended as Sphere + Cylinder (like sign values)  
**Available ADD values from 0,75 D to 3,50 D**

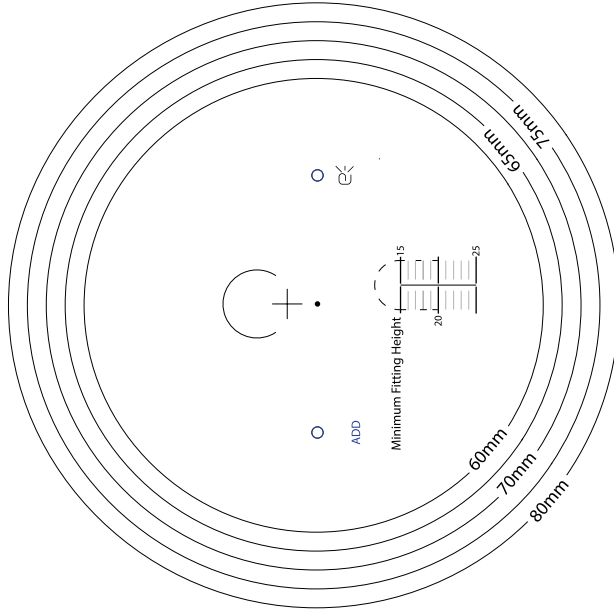
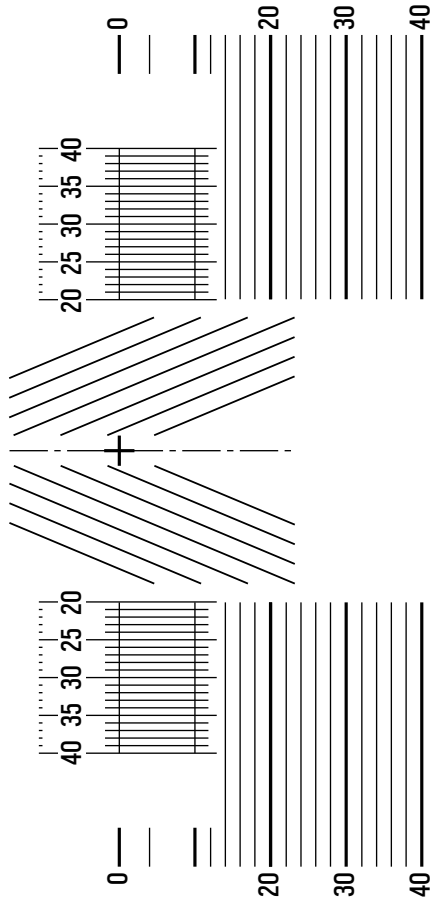
TECHNICAL SHEETS | CENTRATION CHART

# CLEAR & TRANSITIONS®

Progressive | Advanced



**L**



**R**



# CLEAR & TRANSITIONS®

Progressive | Premium

## OTD™ ADVANCE PLUS

CHARACTERISTICS		
Processing	OTD™ (Digital)	
UV Protection	100%	
Front Geometry	Spherical	
Back Geometry	Free Form	
Precal	Included	
Channel	Variable (progression length from 14 mm to 18 mm for 1/10 mm) Progression channel on back surface	
ADDITIONAL PARAMETERS		
Vertex Distance (BVD)	from/to 5/22 mm	Optional
Pantoscopic Angle (TILT)	from/to 0/25°	Optional
Wrap Angle (WRAP)	from/to 0/25°	Optional
TIPS FOR CENTRATION (BOXING SYSTEM)		
Minimum fitting height	15 mm	



For the best working of a spherical lens, centration has to be accurate on the optical axis, following interpupillar semi-distance and fitting height.

## AVAILABILITY

			1.50	1.59	1.60	1.67	1.74
Clear	Oakley Standard AR		•	---	•	•	•
	Oakley Stealth™ Pro		•	---	•	•	•
Oakley Blue Ready	Oakley Standard AR		•	---	•	•	•
	Oakley Stealth™ Pro		•	---	•	•	•
TRANSITIONS® Gen8™	Oakley Standard AR	Grey	•	---	•	•	•
		Brown	•	---	•	•	•
		Graphite Green	•	---	•	•	---
		Amber	•	---	•	•	---
		Sapphire	•	---	•	•	---
		Amethyst	•	---	•	•	---
		Emerald	•	---	•	•	---
	Oakley Stealth™ Pro	Grey	•	---	•	•	•
		Brown	•	---	•	•	•
		Graphite Green	•	---	•	•	---
		Amber	•	---	•	•	---
		Sapphire	•	---	•	•	---
		Amethyst	•	---	•	•	---
		Emerald	•	---	•	•	---
TRANSITIONS® XTRActive®	Oakley Standard AR	Grey	•	---	•	•	---
		Brown	•	---	•	•	---
		Graphite Green	•	---	•	•	---
	Oakley Stealth™ Pro	Grey	•	---	•	•	---
		Brown	•	---	•	•	---
		Graphite Green	•	---	•	•	---





# CLEAR & TRANSITIONS®

Progressive | Premium

**POWER RANGES**

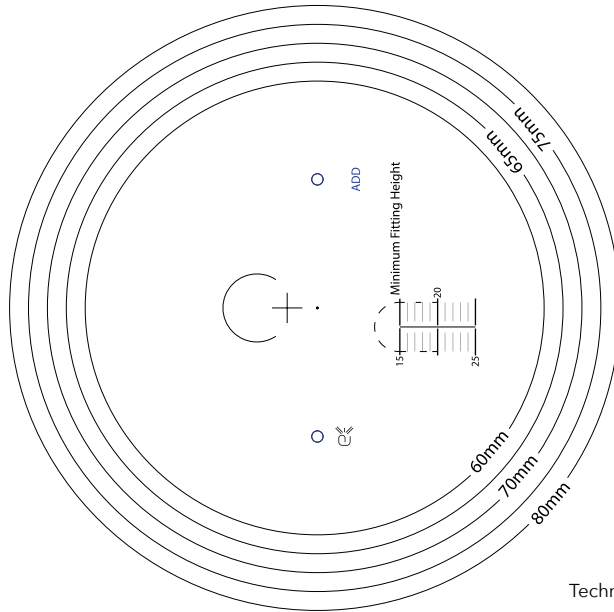
		1.50	1.59	1.60	1.67	1.74
Clear	Min/Max Total Power	-10 / +6	---	-12 / +8	-14 / +9	-18 / +13
	Min/Max Cylinder	-/+ 4	---	-/+ 6	-/+ 6	-/+ 6
Oakley Blue Ready	Min/Max Total Power	-10 / +6	---	-12 / +8	-14 / +9	-18 / +13
	Min/Max Cylinder	-/+ 4	---	-/+ 6	-/+ 6	-/+ 6
TRANSITIONS® Gen8™	Min/Max Total Power	-10 / +6	---	-12 / +8	-14 / +9	-18 / +13
	Min/Max Cylinder	-/+ 4	---	-/+ 6	-/+ 6	-/+ 6
TRANSITIONS® XTRActive®	Min/Max Total Power	-10 / +6	---	-12 / +8	-14 / +9	---
	Min/Max Cylinder	-/+ 4	---	-/+ 6	-/+ 6	---

Total power to be intended as Sphere + Cylinder (like sign values)  
**Available ADD values from 0,75 D to 3,50 D**

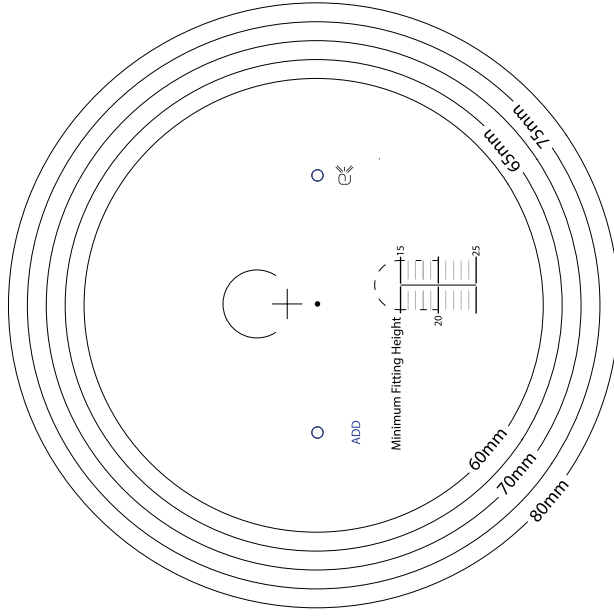
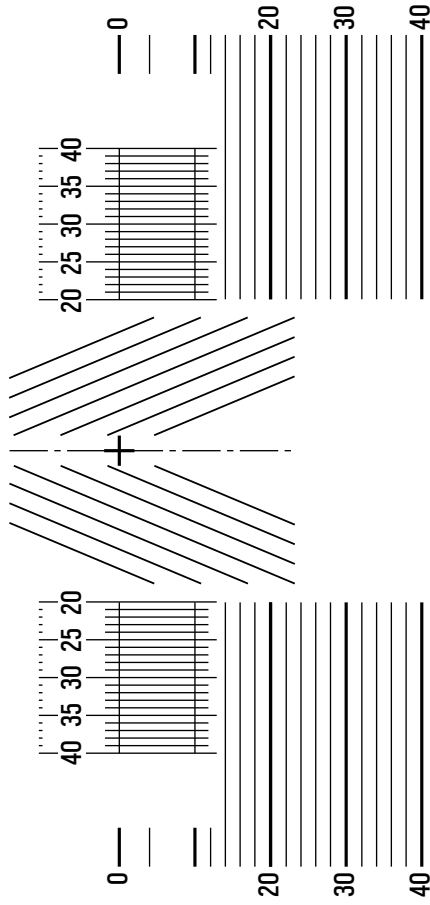
TECHNICAL SHEETS | CENTRATION CHART

# CLEAR & TRANSITIONS®

Progressive | Premium



**L**



**R**



# CLEAR & TRANSITIONS®

Progressive | Top

## OTD™ ELITE

### CHARACTERISTICS

Processing	OTD™ (Digital)	
UV Protection	100%	
Front Geometry	Progressive	
Back Geometry	Free Form	
Precal	Included	
Channel	Variable (progression length from 14 mm to 18 mm for 1/10 mm) Progression channel on back and front surface	

### ADDITIONAL PARAMETERS

Vertex Distance (BVD)	from/to 5/22 mm	Optional
Pantoscopic Angle (TILT)	from/to 0/25°	Optional
Wrap Angle (WRAP)	from/to 0/25°	Optional
Reading Distance	from/to 20/60 cm	Optional
Dominant Hand	L/R/N	Optional
Inset Near Vision	from/to 0/7°	Optional

### TIPS FOR CENTRATION (BOXING SYSTEM)

Minimum fitting height	15 mm
------------------------	-------



For the best working of a spherical lens, centration has to be accurate on the optical axis, following inter-pupillary semi-distance and fitting height.

### AVAILABILITY

			1.50	1.59	1.60	1.67	1.74
Clear	Oakley Standard AR		•	---	•	•	•
	Oakley Stealth™ Pro		•	---	•	•	•
Oakley Blue Ready	Oakley Standard AR		•	---	•	•	•
	Oakley Stealth™ Pro		•	---	•	•	•
TRANSITIONS® Gen8™	Oakley Standard AR	Grey	•	---	•	•	•
		Brown	•	---	•	•	•
		Graphite Green	•	---	•	•	---
		Amber	•	---	•	•	---
		Sapphire	•	---	•	•	---
		Amethyst	•	---	•	•	---
		Emerald	•	---	•	•	---
	Oakley Stealth™ Pro	Grey	•	---	•	•	•
		Brown	•	---	•	•	•
		Graphite Green	•	---	•	•	---
		Amber	•	---	•	•	---
		Sapphire	•	---	•	•	---
		Amethyst	•	---	•	•	---
		Emerald	•	---	•	•	---
TRANSITIONS® XTRActive®	Oakley Standard AR	Grey	•	---	•	•	---
		Brown	•	---	•	•	---
		Graphite Green	•	---	•	•	---
	Oakley Stealth™ Pro	Grey	•	---	•	•	---
		Brown	•	---	•	•	---
		Graphite Green	•	---	•	•	---



# CLEAR & TRANSITIONS®

Progressive | Top

**POWER RANGES**

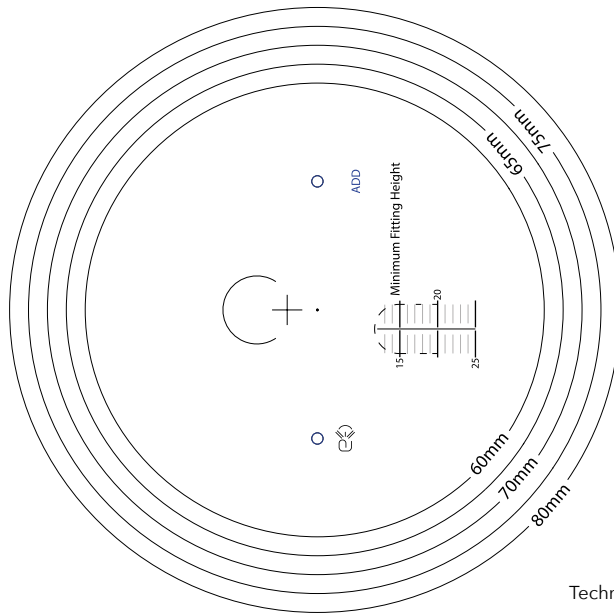
		1.50	1.59	1.60	1.67	1.74
Clear	Min/Max Total Power	-10 / +6	---	-12 / +8	-14 / +9	-14 / +9
	Min/Max Cylinder	-/+ 4	---	-/+ 6	-/+ 6	-/+ 6
Oakley Blue Ready	Min/Max Total Power	-10 / +6	---	-12 / +8	-14 / +9	-14 / +9
	Min/Max Cylinder	-/+ 4	---	-/+ 6	-/+ 6	-/+ 6
TRANSITIONS® Gen8™	Min/Max Total Power	-10 / +6	---	-12 / +8	-14 / +9	-14 / +9
	Min/Max Cylinder	-/+ 4	---	-/+ 6	-/+ 6	-/+ 6
TRANSITIONS® XTRActive®	Min/Max Total Power	-10 / +6	---	-12 / +8	-14 / +9	---
	Min/Max Cylinder	-/+ 4	---	-/+ 6	-/+ 6	---

Total power to be intended as Sphere + Cylinder (like sign values)  
**Available ADD values from 0,75 D to 3,50 D**

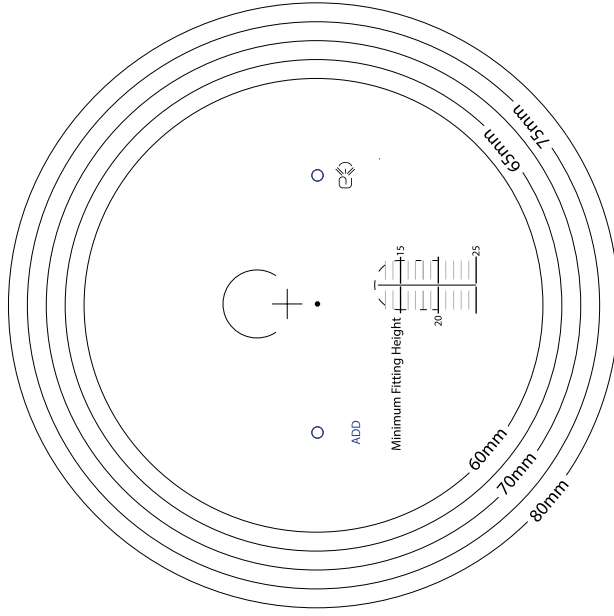
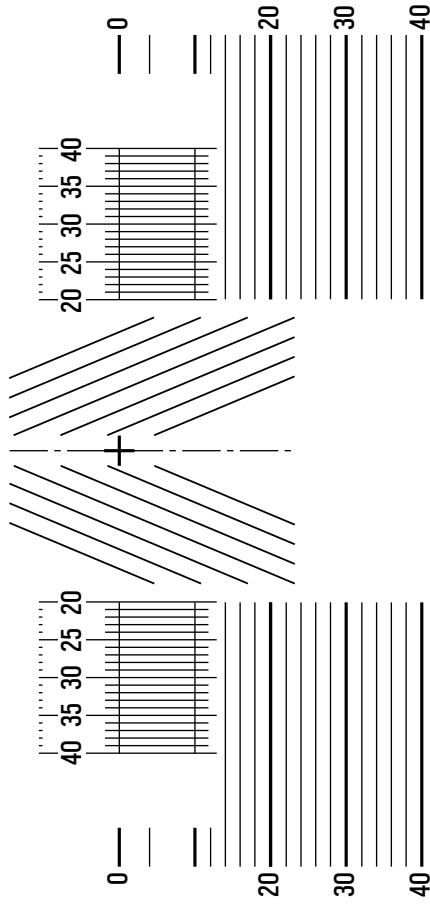
TECHNICAL SHEETS | CENTRATION CHART

# CLEAR & TRANSITIONS®

Progressive | Top



**L**



**R**



# CLEAR

## Progressive | Premium

### PRIZM GAMING

#### CHARACTERISTICS

Processing	OTD™ (Digital)
UV Protection	100%
Front Geometry	Spherical
Back Geometry	Free Form
Precal	Not Available
Channel	Variable (progression length from 14 mm to 18 mm for 1/10 mm) Progression channel on back surface

#### ADDITIONAL PARAMETERS

Not Available

#### TIPS FOR CENTRATION (BOXING SYSTEM)

Minimum fitting height	15 mm
------------------------	-------



For the best working of a spherical lens, centration has to be accurate on the optical axis, following inter-pupillary semi-distance and fitting height.

#### AVAILABILITY

		PLUTONITE™ - 1.59
Clear	Oakley Standard AR	---
	Oakley Stealth™ Pro	•
Oakley Blue Ready	Oakley Standard AR	---
	Oakley Stealth™ Pro	---

#### POWER RANGES

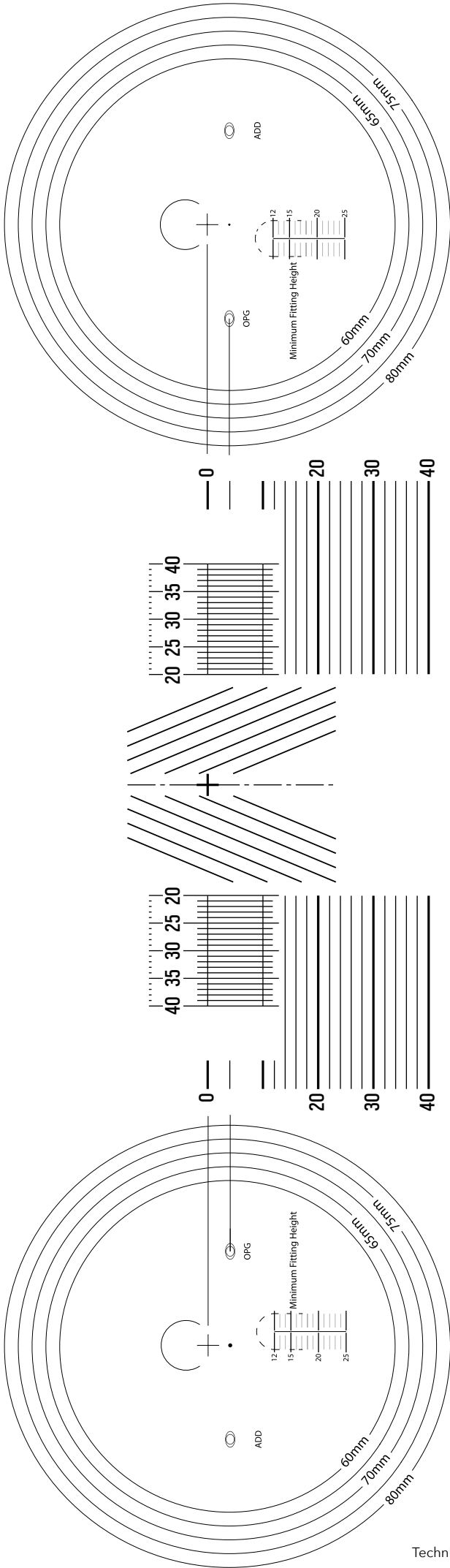
		PLUTONITE™ - 1.59
Clear	Min/Max Total Power	-8 / +6
	Min/Max Cylinder	-/+ 6
Oakley Blue Ready	Min/Max Total Power	---
	Min/Max Cylinder	---

Total power to be intended as Sphere + Cylinder (like sign values)  
Available ADD values from 0,75 D to 3,50 D



# CLEAR

Progressive | Premium



**R**

**L**

