

Subject
<b>Flash Multifunction Power Generator (Kubota Powered)</b>

## SYSTEM OR PARTS AFFECTED

- |   |   |   |
|---|---|---|
| <ul style="list-style-type: none"> <li>D600007</li> <li>D600008</li> <li>D600009</li> </ul> | <ul style="list-style-type: none"> <li>D600010</li> <li>D600011</li> <li>D600012</li> </ul> | <ul style="list-style-type: none"> <li>D600013</li> <li>D600020</li> <li>D600021</li> </ul> |
|---|---|---|

## OVERVIEW

- In order to produce power, the generator requires residual magnetism in the exciter field during start up. Occasionally this magnetism can be lost if the unit is shut down while a device is still drawing power, or through a lack of use. This residual magnetism can be restored via a process referred to as “flashing the exciter field”.



***This article is intended for generators that produce zero ac voltage. Prior to proceeding, complete the generator tests in knowledge base article EXT-MF-005 (EXT-MF-005 Testing Multifunction AC and DC Circuits).***

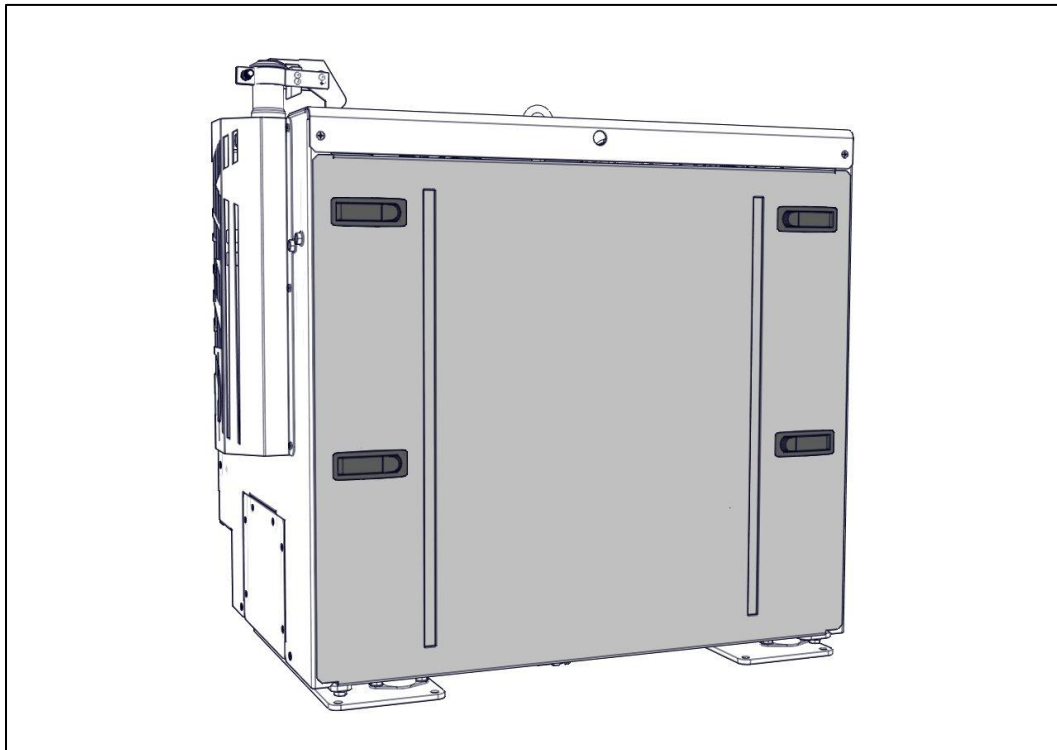
## SAFETY



***Generator voltage is potentially deadly. Any time the system is operating, the generator is producing up to 240 Volts AC and can cause an electrical shock (regardless of whether equipment is plugged into the receptacles or not).***

## PREPERATION

- Ensure the system is cool and the ignition key switch is in the “OFF” position.
- Disconnect the Welder Control Box from the Multifunction Power System (MF).
- Remove the service panel (Figure 1).

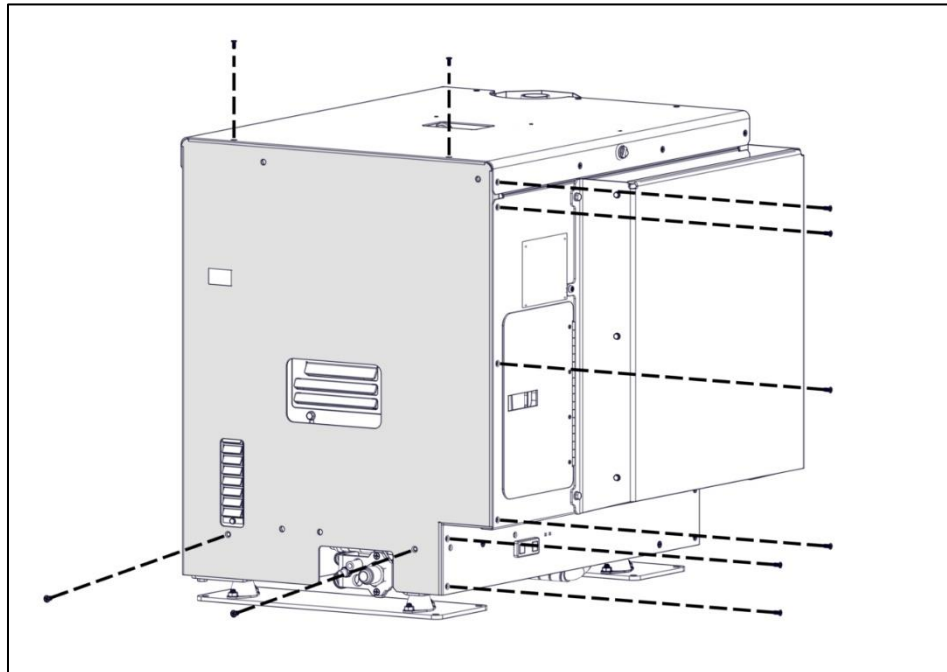


**Figure 1 - Remove service panel**

Version	Document	Department	Revision Details	Author	Reviewed by		Implemented
					Tech.	Eng.	
B	EXT-MF-011	Tech	Wire colour chng	BDJ	BDJ	N/A	27 Sept. 2022

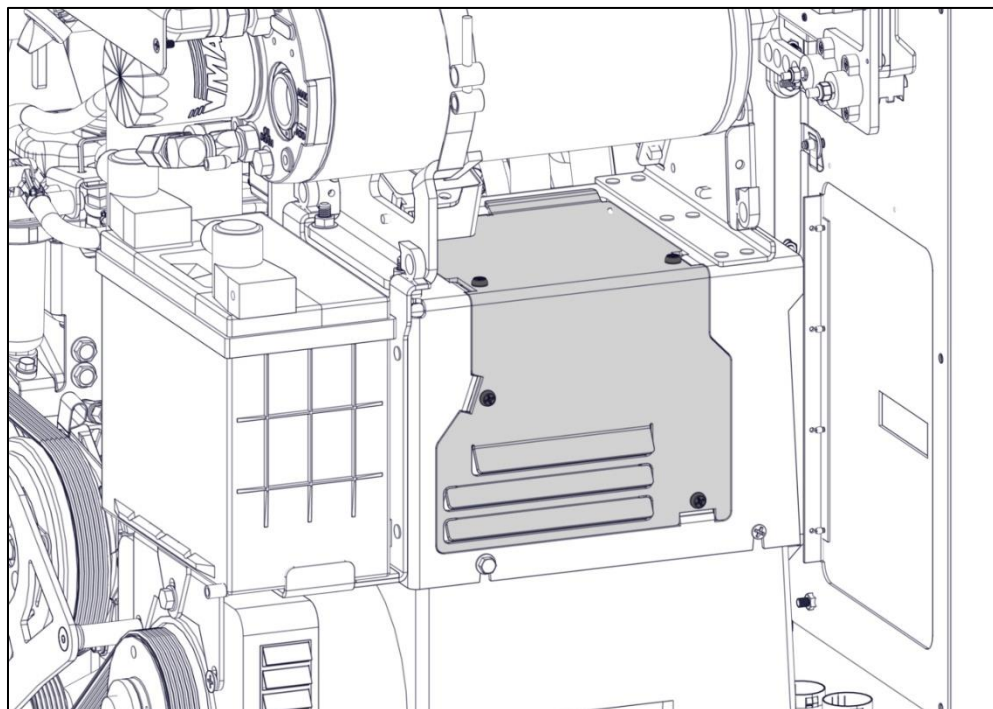
Subject
<b>Flash Multifunction Power Generator (Kubota Powered)</b>

- Remove the generator panel (Figure 2).



**Figure 2 - Remove generator panel**

- Remove the access panel on the generator (Figure 3).



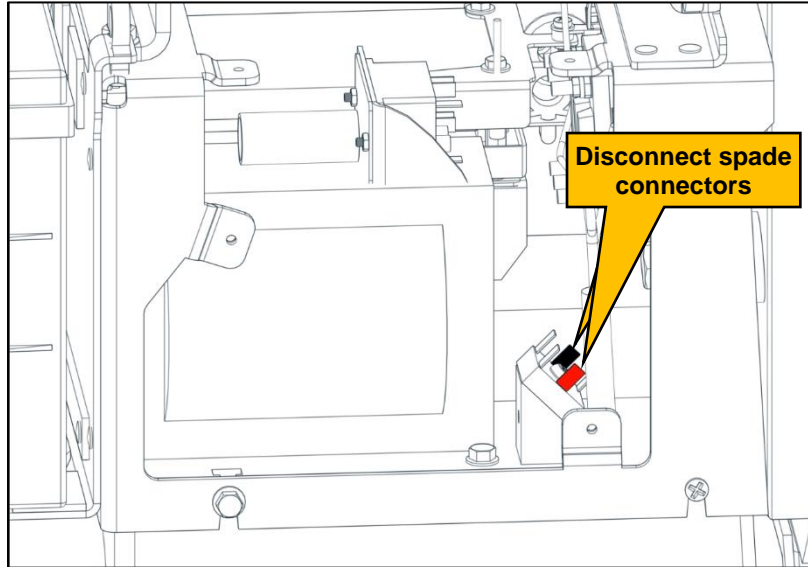
**Figure 3 - Remove access panel**

Version	Document	Department	Revision Details	Author	Reviewed by		Implemented
					Tech.	Eng.	
B	EXT-MF-011	Tech	Wire colour chng	BDJ	BDJ	N/A	27 Sept. 2022

## Subject

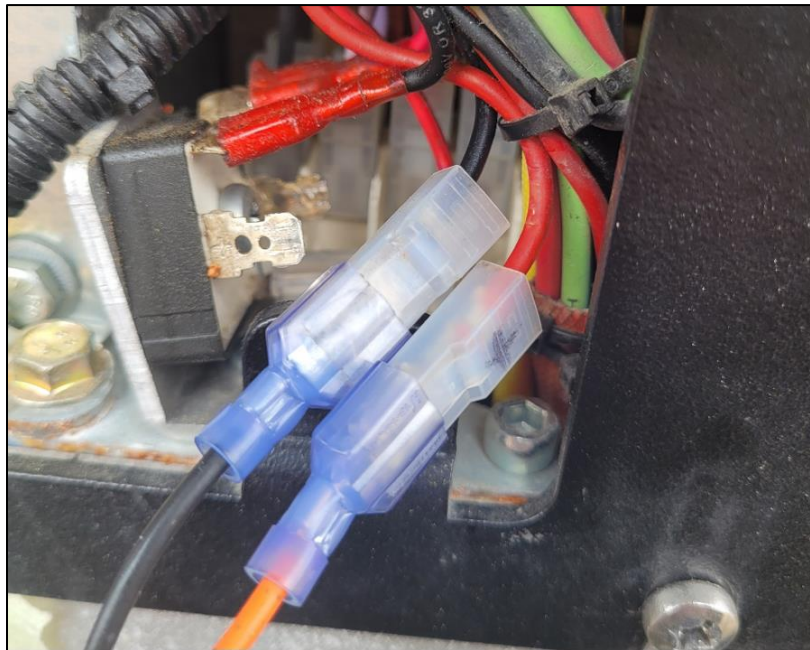
### Flash Multifunction Power Generator (Kubota Powered)

- Disconnect the indicated red and black spade terminals from the bridge rectifier (Figure 4).



**Figure 4 - Remove spade connectors**

- Connect +12 V power to the red wire spade connector (not the bridge rectifier) and ground to the black wire spade connector for 10 seconds, then disconnect the power and ground (Figure 5).



**Figure 5 – Flash exciter field**

- Reassemble the MF in the reverse order and test the system.

**NOTE** *If this does not resolve the issue, the generator must be replaced.*

Version	Document	Department	Revision Details	Author	Reviewed by		Implemented
					Tech.	Eng.	
B	EXT-MF-011	Tech	Wire colour chng	BDJ	BDJ	N/A	27 Sept. 2022