

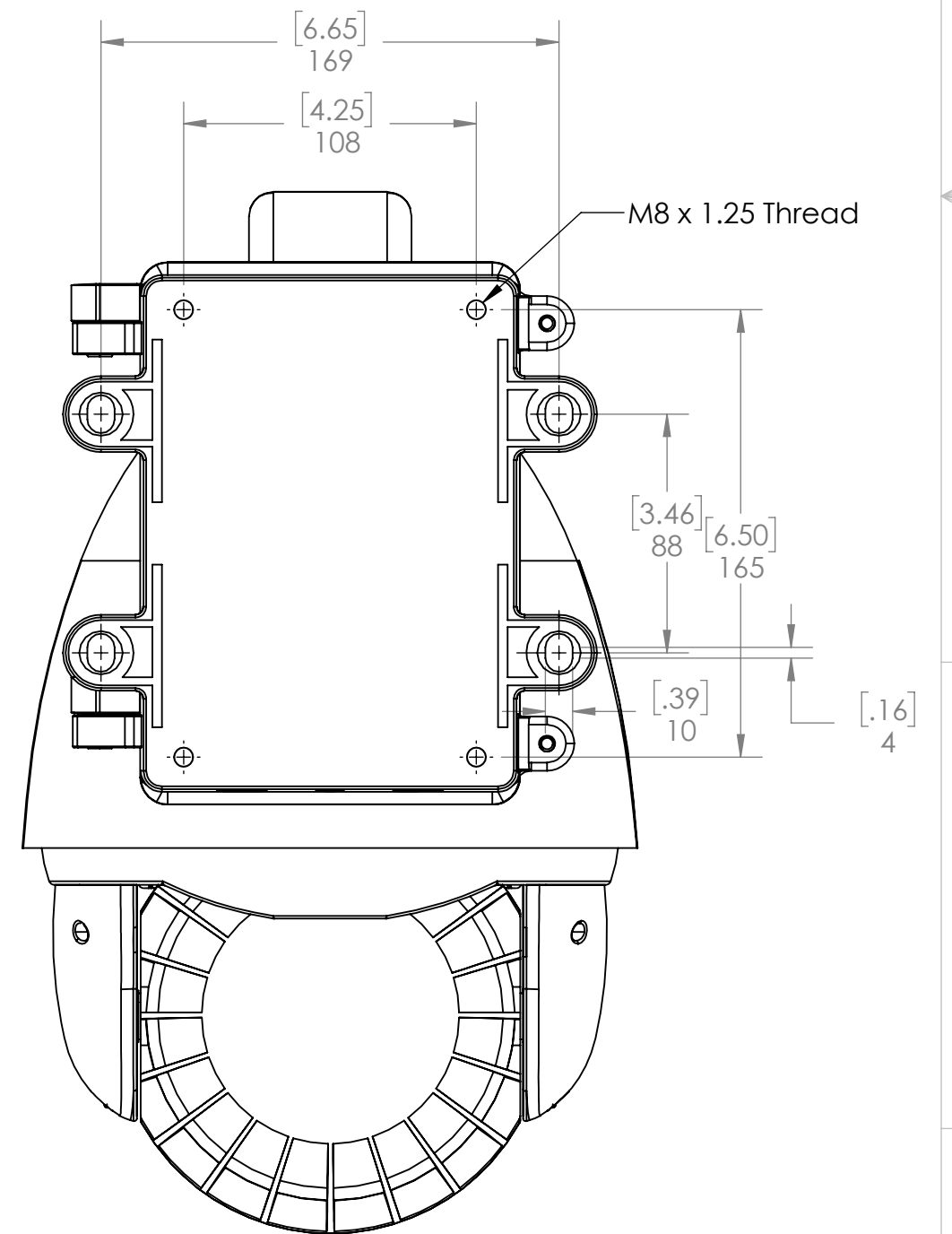
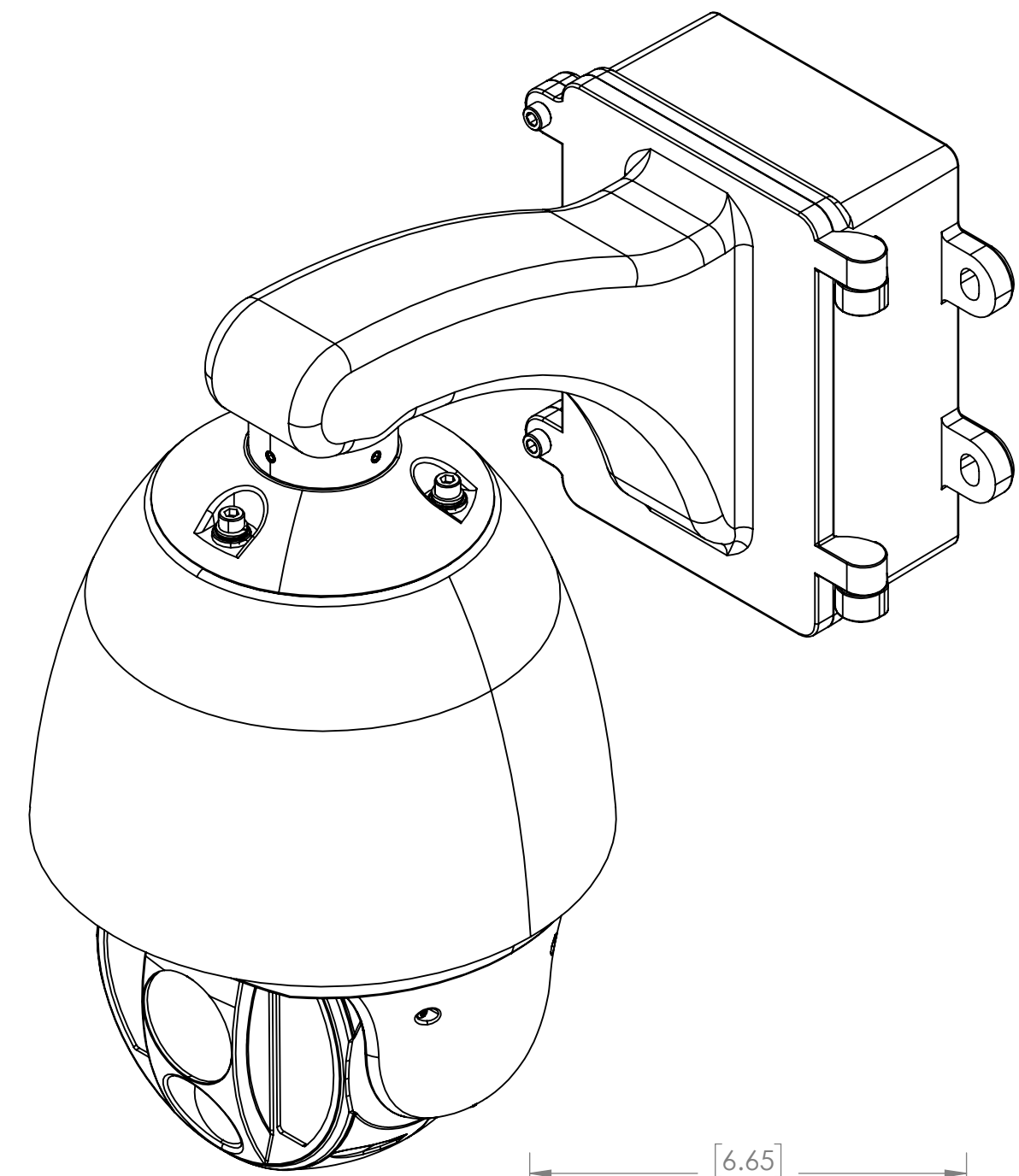
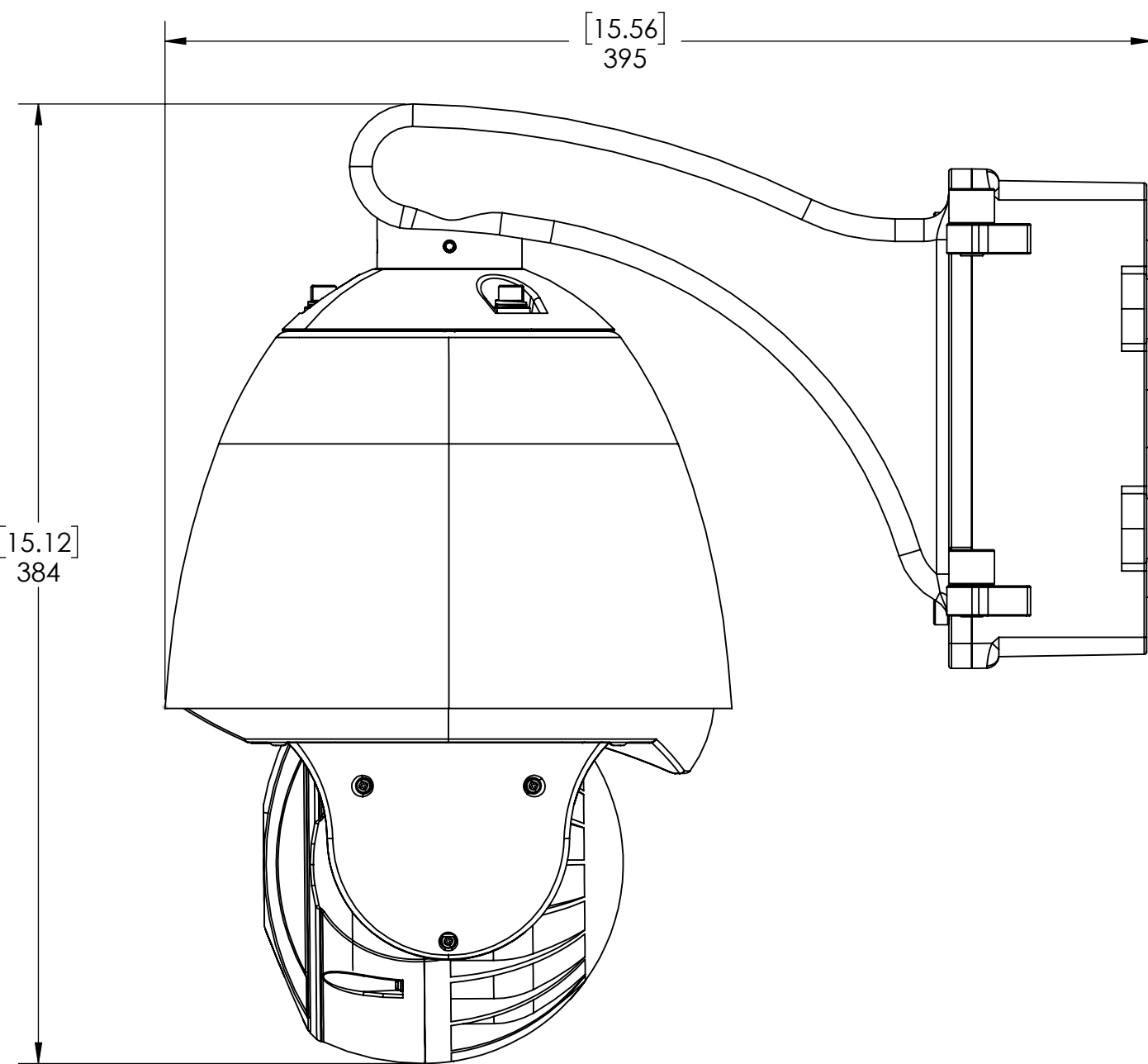
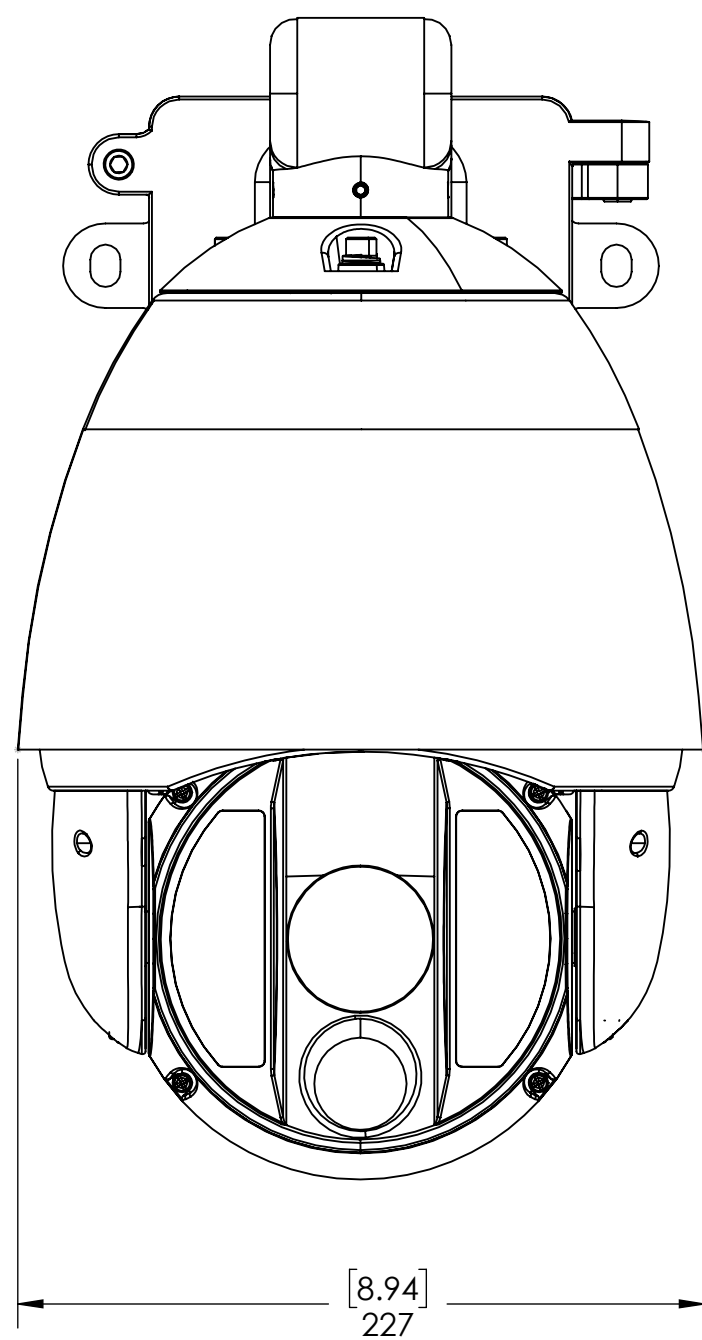
2x M6 BOLTS
USE 5mm HEX KEY

3x M6 SET SCREW
USE 3mm HEX KEY

THESE DRAWINGS AND SPECIFICATIONS ARE THE PROPERTY OF AND PROPRIETARY TO SIGHTLOGIX, INC. AND ARE NOT TO BE DISCLOSED, REPRODUCED, COPIED OR USED AS THE BASIS OF MANUFACTURE OR SALE OF APPARATUS AND /OR DEVICES OR OTHERWISE WITHOUT SIGHTLOGIX' PRIOR WRITTEN CONSENT.

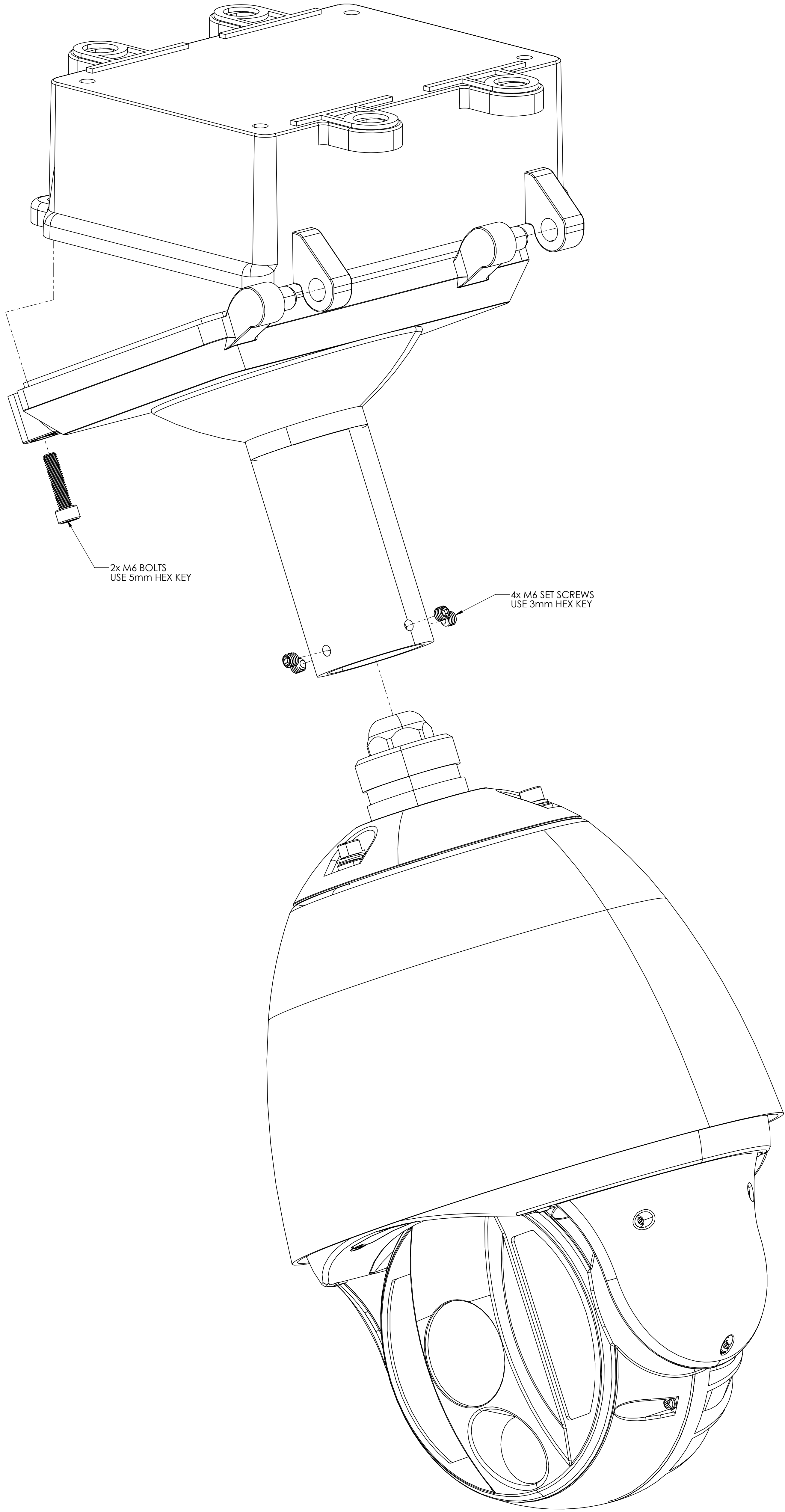
SIGHTLOGIX, INC.		PRINCETON, NJ	DESIGNED BY /DATE:	SCALE: 1:1	SHEET 1 OF 7
SIGHTLOGIX COMPONENT PARTS ARE ROHS COMPLIANT	TOLERANCES UNLESS SPECIFIED.		DRAWN BY /DATE:	TITLE:	
ALL DIMENSIONS ARE IN MILLIMETERS UNLESS OTHERWISE SPECIFIED	0.0	±	S van der Wal	11/10/2022	SightTracker PTZ with Wall Mount
THIRD ANGLE PROJECTION	0.00	±	CHECKED BY /DATE:		PTZ-WMT
				SIZE	DWG. NO.
		ANGULAR ± 1/2°		C	REV -

DIMENSIONS IN mm [INCHES]



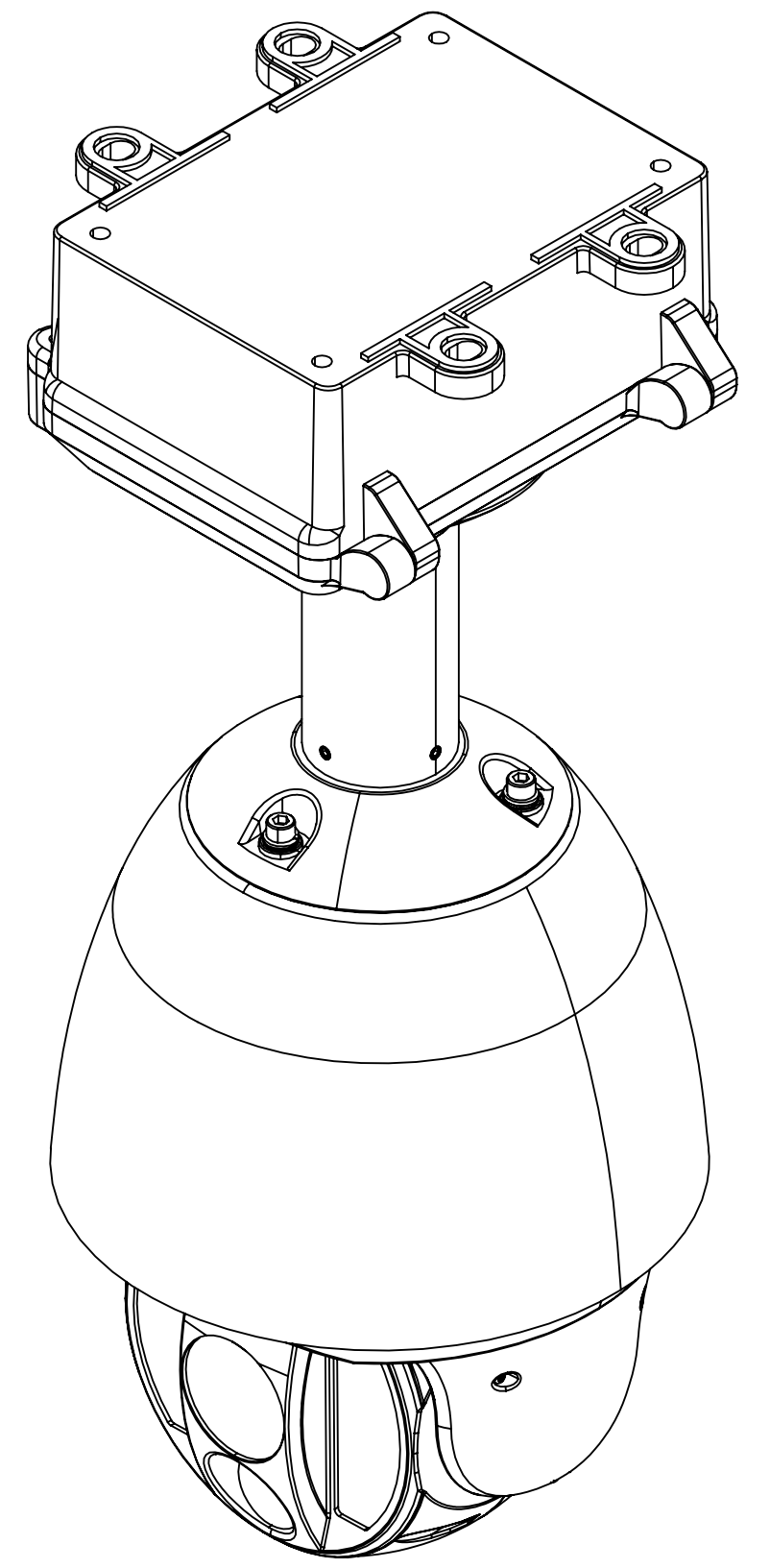
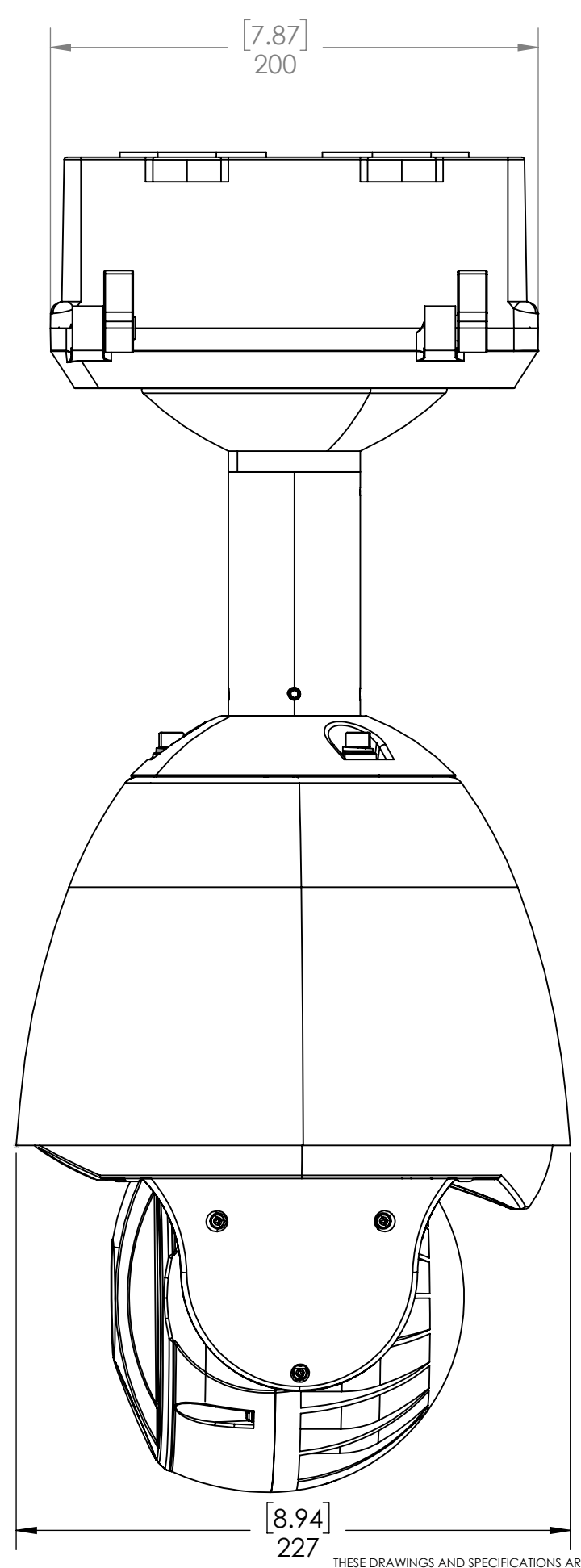
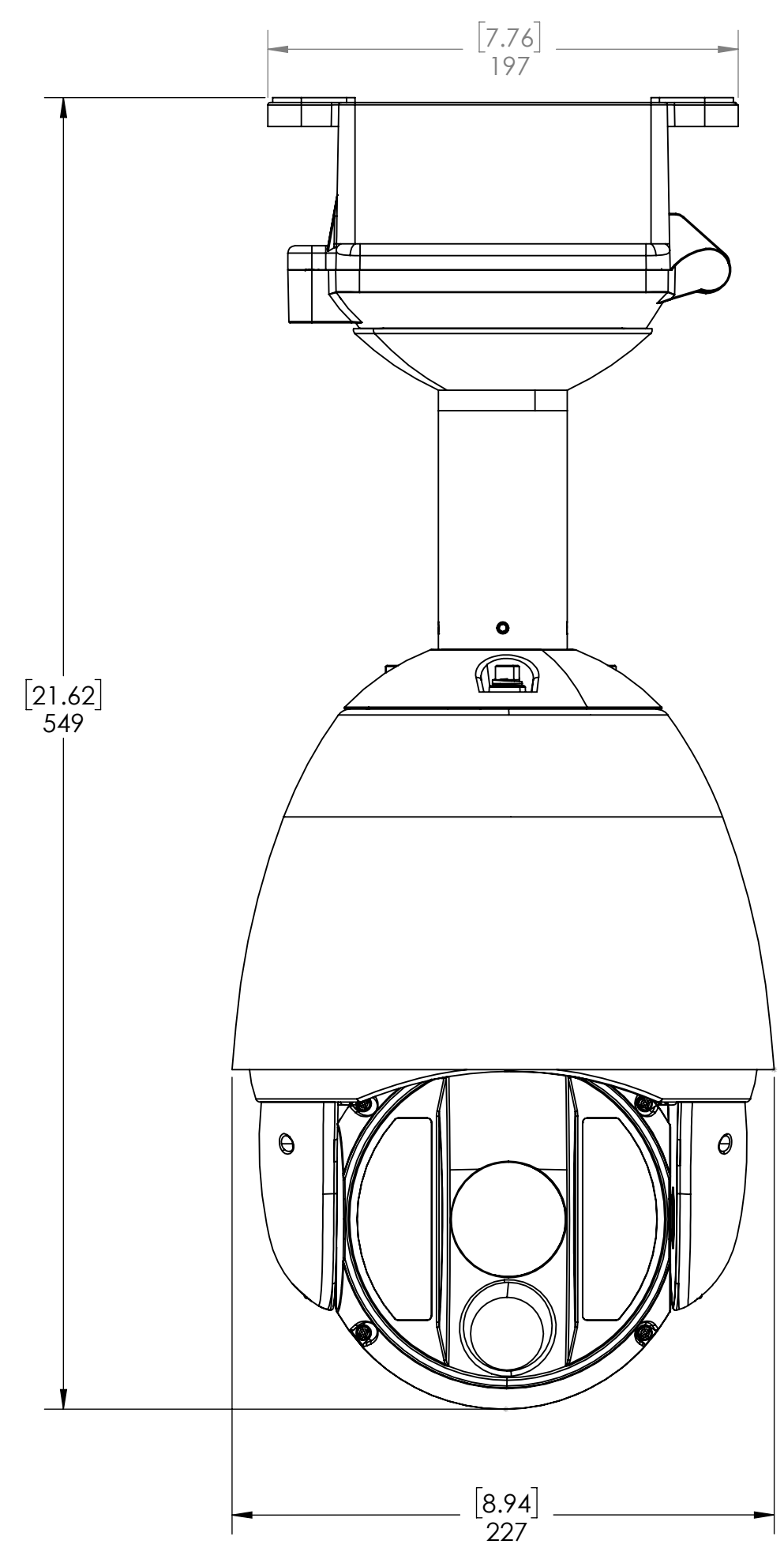
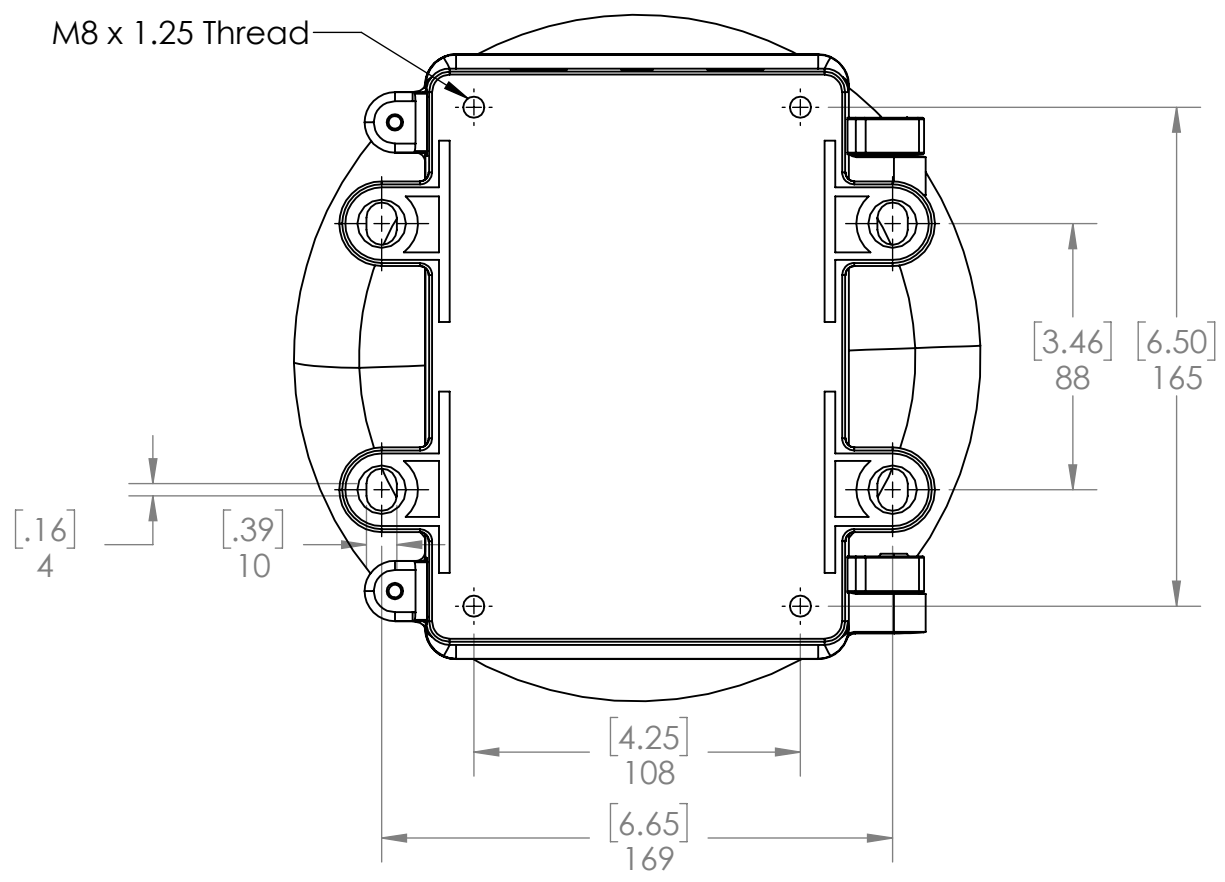
THESE DRAWINGS AND SPECIFICATIONS ARE THE PROPERTY OF AND PROPRIETARY TO SIGHTLOGIX, INC., AND ARE NOT TO BE DISCLOSED, REPRODUCED, COPIED OR USED AS THE BASIS OF MANUFACTURE OR SALE OF APPARATUS AND /OR DEVICES OR OTHERWISE WITHOUT SIGHTLOGIX' PRIOR WRITTEN CONSENT.

SIGHTLOGIX, INC.		PRINCETON, NJ		DESIGNED BY /DATE:	SCALE: 1:2.5	SHEET 2 OF 7	
SIGHTLOGIX COMPONENT PARTS ARE ROHS COMPLIANT		TOLERANCES UNLESS SPECIFIED:		DRAWN BY /DATE:	TITLE:		
ALL DIMENSIONS ARE IN MILLIMETERS UNLESS OTHERWISE SPECIFIED		0.0	±	.2	S van der Wal	11/10/2022	PTZ-WMT Dimensions
THIRD ANGLE PROJECTION		0.00	±	.08	CHECKED BY /DATE:		
		ANGULAR ± 1/2°			SIZE	DWG. NO.	REV
					C		-



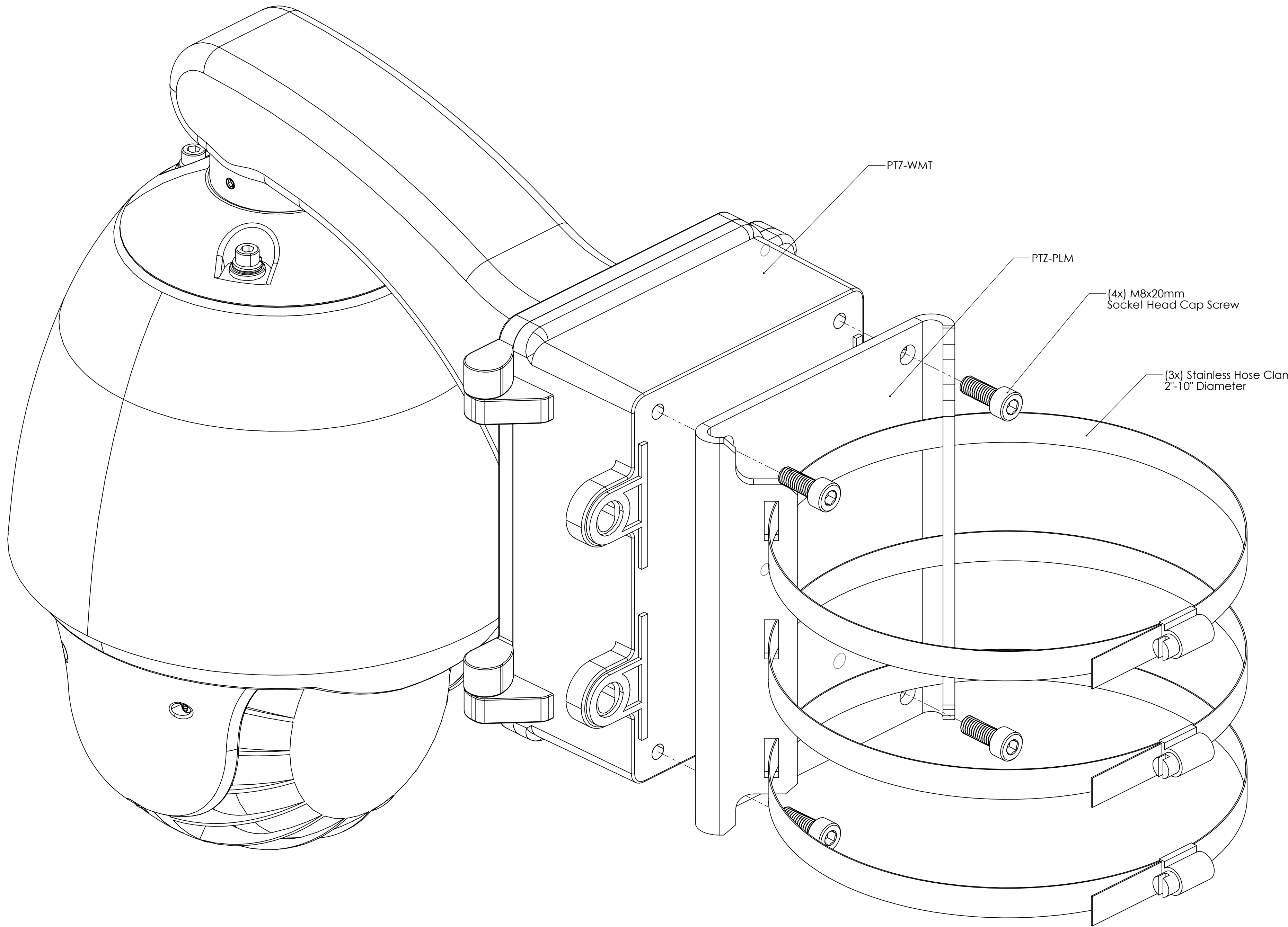
THESE DRAWINGS AND SPECIFICATIONS ARE THE PROPERTY OF AND PROPRIETARY TO SIGHTLOGIX, INC. AND ARE NOT TO BE DISCLOSED, REPRODUCED, COPIED OR USED AS THE BASIS OF MANUFACTURE OR SALE OF ANY PARTS AND/OR DEVICES OR OTHERWISE WITHOUT SIGHTLOGIX PRIOR WRITTEN CONSENT.

SIGHTLOGIX, INC.		PRINCETON, NJ		SCALE: 1:1	SHEET 3 OF 7
SIGHTLOGIX COMPONENT PARTS ARE ROHS COMPLIANT		TOLERANCES UNLESS SPECIFIED:		DESIGNED BY / DATE:	
ALL DIMENSIONS ARE IN MILLIMETERS UNLESS OTHERWISE SPECIFIED	0.0	±	.2	DRAWN BY / DATE:	TITLE:
THIRD ANGLE PROJECTION	0.00	±	.08	S van der Wal 11/10/2022	PTZ with Pendant Mount
				CHECKED BY / DATE:	PTZ-PDM
					SIZE DWG. NO. REV
					D -



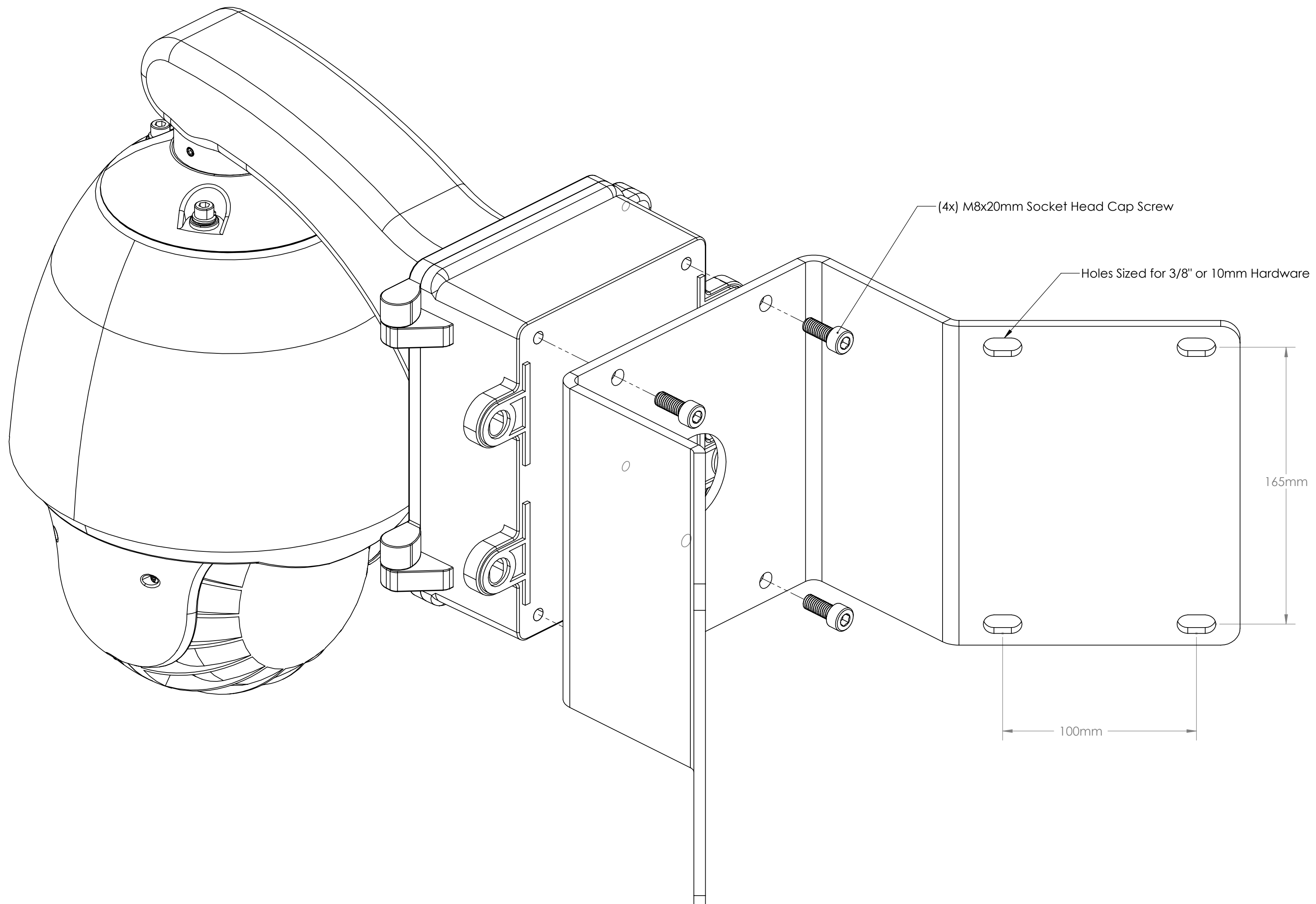
THESE DRAWINGS AND SPECIFICATIONS ARE THE PROPERTY OF AND PROPRIETARY TO SIGHTLOGIX, INC., AND ARE NOT TO BE DISCLOSED, REPRODUCED, COPIED OR USED AS THE BASIS OF MANUFACTURE OR SALE OF APPARATUS AND /OR DEVICES OR OTHERWISE WITHOUT SIGHTLOGIX' PRIOR WRITTEN CONSENT.

SIGHTLOGIX, INC.		PRINCETON, NJ		SCALE: 1:2.5		SHEET 4 OF 7	
SIGHTLOGIX COMPONENT PARTS ARE ROHS COMPLIANT		TOLERANCES UNLESS SPECIFIED.		DRAWN BY /DATE:		TITLE:	
ALL DIMENSIONS ARE IN MILLIMETERS UNLESS OTHERWISE SPECIFIED		0.0	±	.2	S van der Wal		11/10/2022
THIRD ANGLE PROJECTION		0.00	±	.08	CHECKED BY /DATE		
		ANGULAR ± 1/2°		SIZE		DWG. NO.	
				C		REV -	



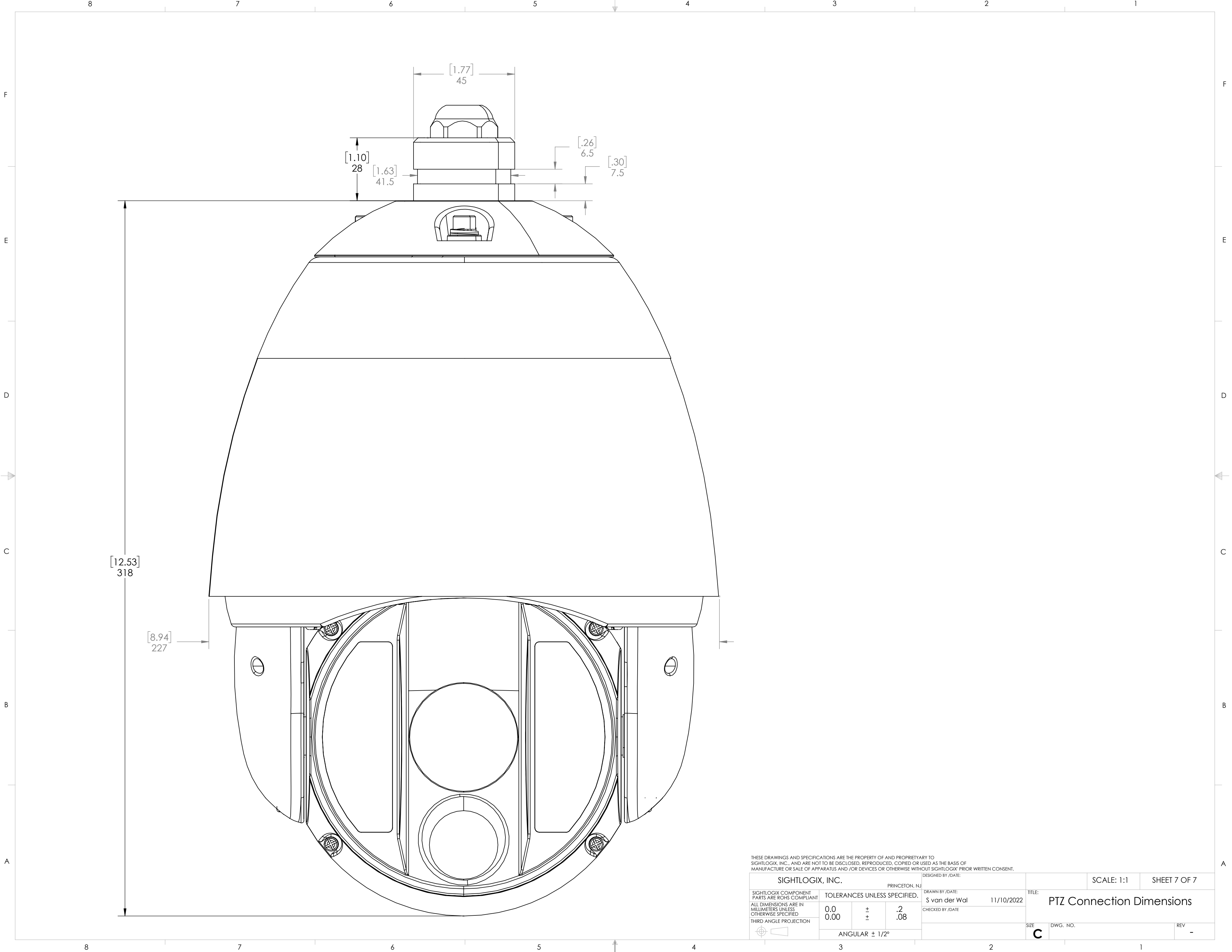
THESE DRAWINGS AND SPECIFICATIONS ARE THE PROPERTY OF AND PROPRIETARY TO SIGHTLOGIX, INC., AND ARE NOT TO BE DISCLOSED, REPRODUCED, COPIED OR USED AS THE BASIS OF MANUFACTURE OR SALE OF APPARATUS AND /OR DEVICES OR OTHERWISE WITHOUT SIGHTLOGIX' PRIOR WRITTEN CONSENT.

SIGHTLOGIX, INC.		PRINCETON, NJ		DESIGNED BY /DATE:		SCALE: 1:1	SHEET 5 OF 7
SIGHTLOGIX COMPONENT PARTS ARE ROHS COMPLIANT		TOLERANCES UNLESS SPECIFIED:		DRAWN BY /DATE:		TITLE:	
ALL DIMENSIONS ARE IN MILLIMETERS UNLESS OTHERWISE SPECIFIED		0.0	±	.2	S van der Wal		11/10/2022
THIRD ANGLE PROJECTION		0.00	±	.08	CHECKED BY /DATE:		PTZ with Wall Mount and Pole Adapter
		ANGULAR ± 1/2°				PTZ-WMT and PTZ-PLM	
						SIZE	DWG. NO.
						C	REV -



THESE DRAWINGS AND SPECIFICATIONS ARE THE PROPERTY OF AND PROPRIETARY TO SIGHTLOGIX, INC., AND ARE NOT TO BE DISCLOSED, REPRODUCED, COPIED OR USED AS THE BASIS OF MANUFACTURE OR SALE OF APPARATUS AND /OR DEVICES OR OTHERWISE WITHOUT SIGHTLOGIX' PRIOR WRITTEN CONSENT.

SIGHTLOGIX, INC.		PRINCETON, NJ		DESIGNED BY /DATE:	SCALE: 1:1.5	SHEET 6 OF 7
SIGHTLOGIX COMPONENT PARTS ARE ROHS COMPLIANT		TOLERANCES UNLESS SPECIFIED.		DRAWN BY /DATE:	TITLE: PTZ with Wall Mount and Convex Corner Adapter	
ALL DIMENSIONS ARE IN MILLIMETERS UNLESS OTHERWISE SPECIFIED		0.0	±	.2	PTZ-WMT and PTZ-CXA	
THIRD ANGLE PROJECTION		0.00	±	.08	CHECKED BY /DATE:	REV -
		ANGULAR ± 1/2°		SIZE C	DWG. NO.	



THESE DRAWINGS AND SPECIFICATIONS ARE THE PROPERTY OF AND PROPRIETARY TO SIGHTLOGIX, INC., AND ARE NOT TO BE DISCLOSED, REPRODUCED, COPIED OR USED AS THE BASIS OF MANUFACTURE OR SALE OF APPARATUS AND /OR DEVICES OR OTHERWISE WITHOUT SIGHTLOGIX' PRIOR WRITTEN CONSENT.

SIGHTLOGIX, INC.		PRINCETON, NJ		SCALE: 1:1	SHEET 7 OF 7
SIGHTLOGIX COMPONENT PARTS ARE ROHS COMPLIANT		TOLERANCES UNLESS SPECIFIED.		DRAWN BY /DATE: S van der Wal 11/10/2022	
ALL DIMENSIONS ARE IN MILLIMETERS UNLESS OTHERWISE SPECIFIED		0.0	±	.2	TITLE: PTZ Connection Dimensions
THIRD ANGLE PROJECTION		0.00	±	.08	
		ANGULAR ± 1/2°		CHECKED BY /DATE:	SIZE C
				DWG. NO.	REV -