

Subject
A900023 Degas Bottle Leak

SYSTEM OR PARTS AFFECTED

- ADAPTER KIT, DUAL BATTERY, FORD 7.3 (P/N: A900023)
- RESERVOIR, DEGAS, FORD (P/N: 5800174)

OVERVIEW

VMAC has received feedback of excessive tolerance between the degas reservoir (P/N: 5800174) and the OEM coolant hose quick connect elbow that can lead to a coolant leak under pressure. As this appears to be a stack tolerance issue, replacing the parts will not guarantee a resolution (**Figure 1**).

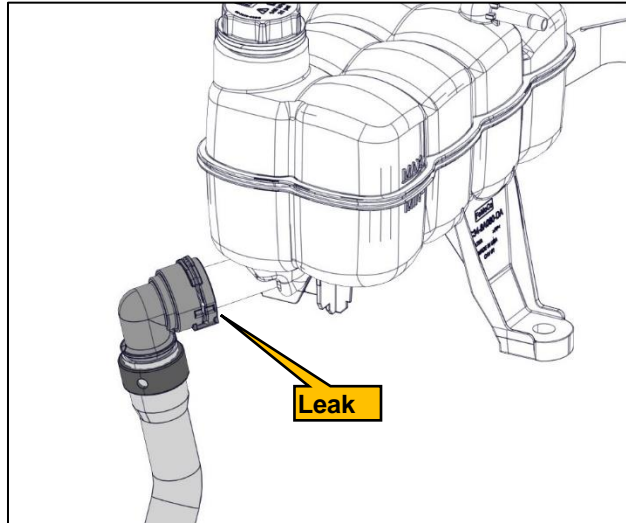


Figure 1 - Degas connection

RESOLUTION

VMAC has determined that replacing the original O-ring in the quick connect elbow will resolve this issue.

Replacement O-ring specification: 31 mm ID x 39 mm OD x 4 mm Wide. Buna-N. VMAC was able to source this O-ring as part of the Dorman 926-168 Coolant Tee And Radiator Hose O-Ring Kit.

- Using a pick or similar tool, remove the original O-ring (Figure 2).

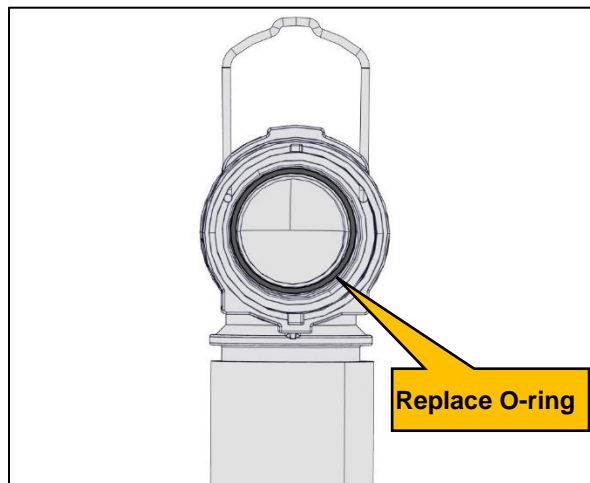


Figure 2 - O-ring

- Install replacement O-ring.

Version	Document	Department	Revision Details	Author	Reviewed by		Implemented
					Tech.	Eng.	
A	EXT-UH-014	Tech	Document Release	MSP	BDJ	SPT	28 Mar. 2023