

Subject
UNDERHOOD 30/40 Water Pump Compatibility in Ford 6.7L Diesel 2017+

### System or Parts affected

- V300011 UNDERHOOD™ 30CFM – Air Compressor for F250~550 6.7L Diesel 2017
- V400011 UNDERHOOD™ 40CFM – Air Compressor for F250~550 6.7L Diesel 2017- 2019
- V400021 UNDERHOOD 40CFM – Air Compressor for F250~550 6.7L Diesel 2020 - 2022
- V400030 UNDERHOOD 40CFM – Air Compressor for F250~600 6.7L Diesel 2023+

### Overview

The UNDERHOOD compressor systems listed above are designed to fit vehicles that are equipped with secondary cooling system water pumps that have integrated mounting ears.

If the vehicle is not equipped with a secondary cooling system water pump with integrated mounting ears, the following adaptor kits must be ordered prior to fitting main bracket (Figure 1):

- V300011 and V400011 - VMAC adaptor kit P/N: [A900018](#)
- V400021 and V400030 - VMAC adaptor kit P/N: [A900022](#)

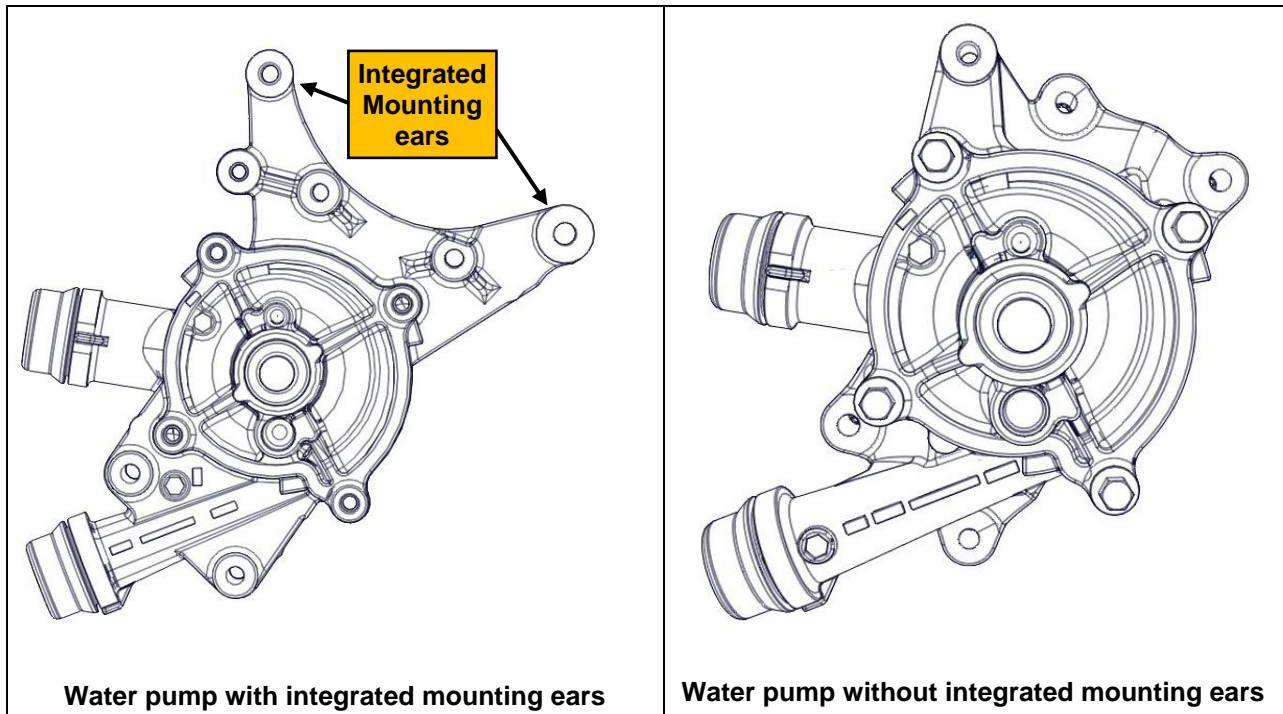


Figure 1 – Identifying compatible secondary cooling system water pump.

Document	Version	Department	Revision Details	Revised by	Tech	Engineering	Implemented
EXT-UH-016	A	Tech	New model	BDJ	MSP	N/A	5 July 2023